

SPARE PARTS CATALOG

CMW30



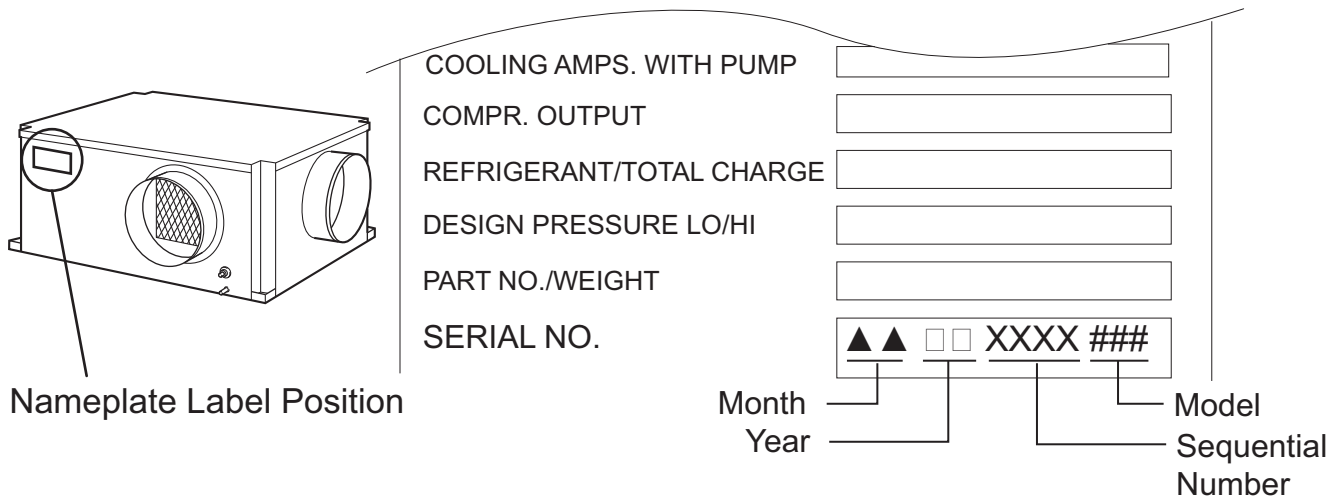
MOVINCOOL®
THE #1 SPOT COOLING SOLUTION

Table of Contents

No.	UNIT PART NUMBER	SERIAL NUMBER RANGE	REFRIGERANT	SECTION
1	484000-4270	0411XXXXCW3 to Present (From April 2011 to Present)	R410A	Page 3 ~ 13 SP0065-03

SERIAL NUMBER LOCATION AND IDENTIFICATION

Nameplate Label



© 2016 DENSO PRODUCTS AND SERVICES AMERICAS, INC.

All rights reserved. This book may not be reproduced or copied, in whole or in part, without the written permission of the publisher. DENSO PRODUCTS AND SERVICES AMERICAS, INC. reserves the right to make changes without prior notice. MovinCool®, Office Pro® and SpotCool® are registered trademarks of DENSO Corporation.

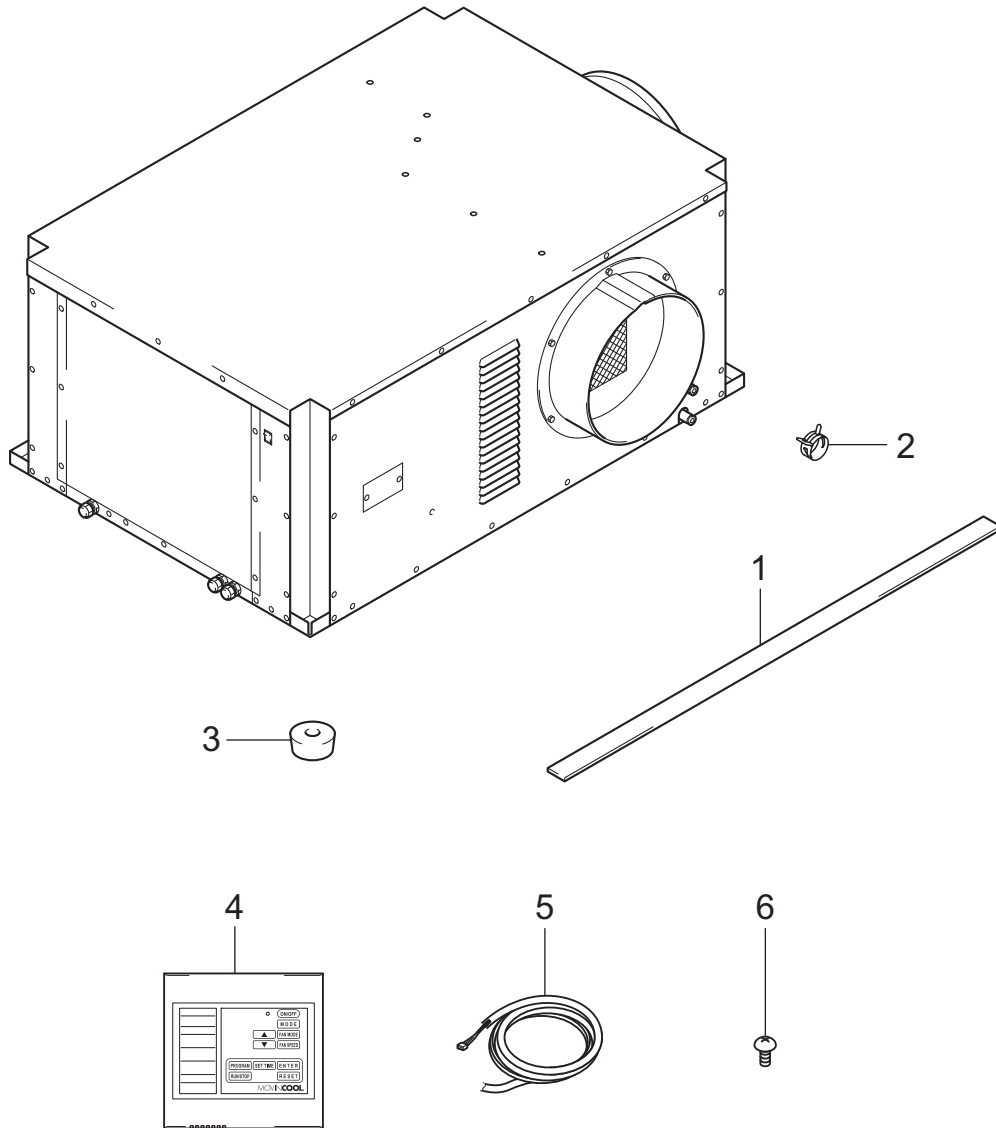
CMW30

Unit Part No: 484000-4270

Unit Serial Number Range:

0411XXXXCW3 to Present
(From April 2011 to Present)

CMW30



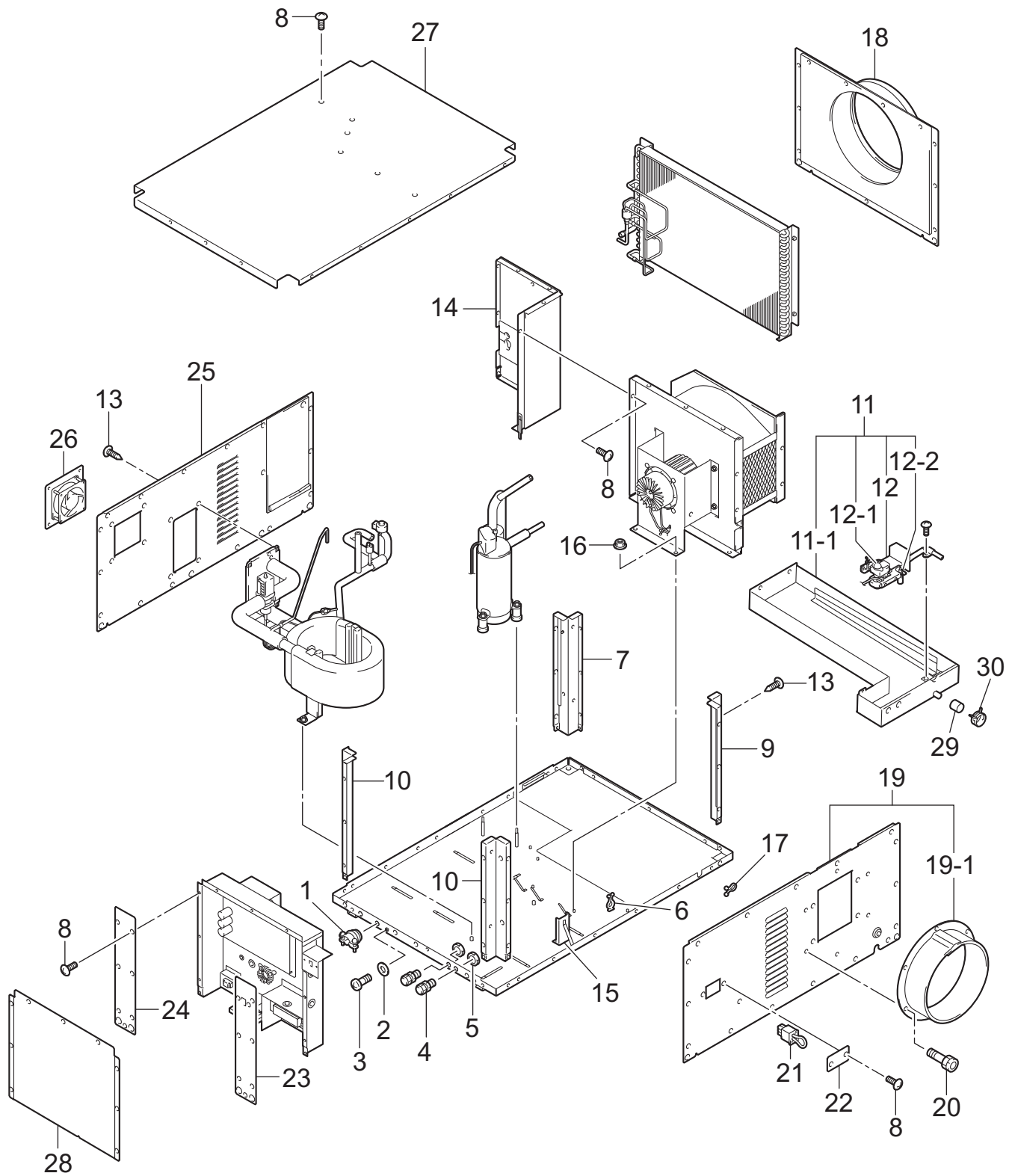
ILL. No.	DESCRIPTION	PART No.	QTY.	UNIT SERIAL No. RANGE*	REMARKS**
1	Insulator	481862-1900	1		For Cool Air Duct Flange
2	Clip	484917-0930	1		
3	Cushion	484904-0450	4		Vibration Isolator
4	Controller Assy	484500-4163	1		Wall Mounted Controller (WMC)
5	Wire Assy	481950-0990	1		For WMC
6	Bolt	480919-0850	4		D4, L=25

*: Please refer to page number 2 for the position of the nameplate showing the serial number on the unit.

"Unit Serial Number Range*" column indicates the first four digits of the unit serial number.

** : Please refer to the Reference Table on page number 15 for more information on the remarks.

CMW30



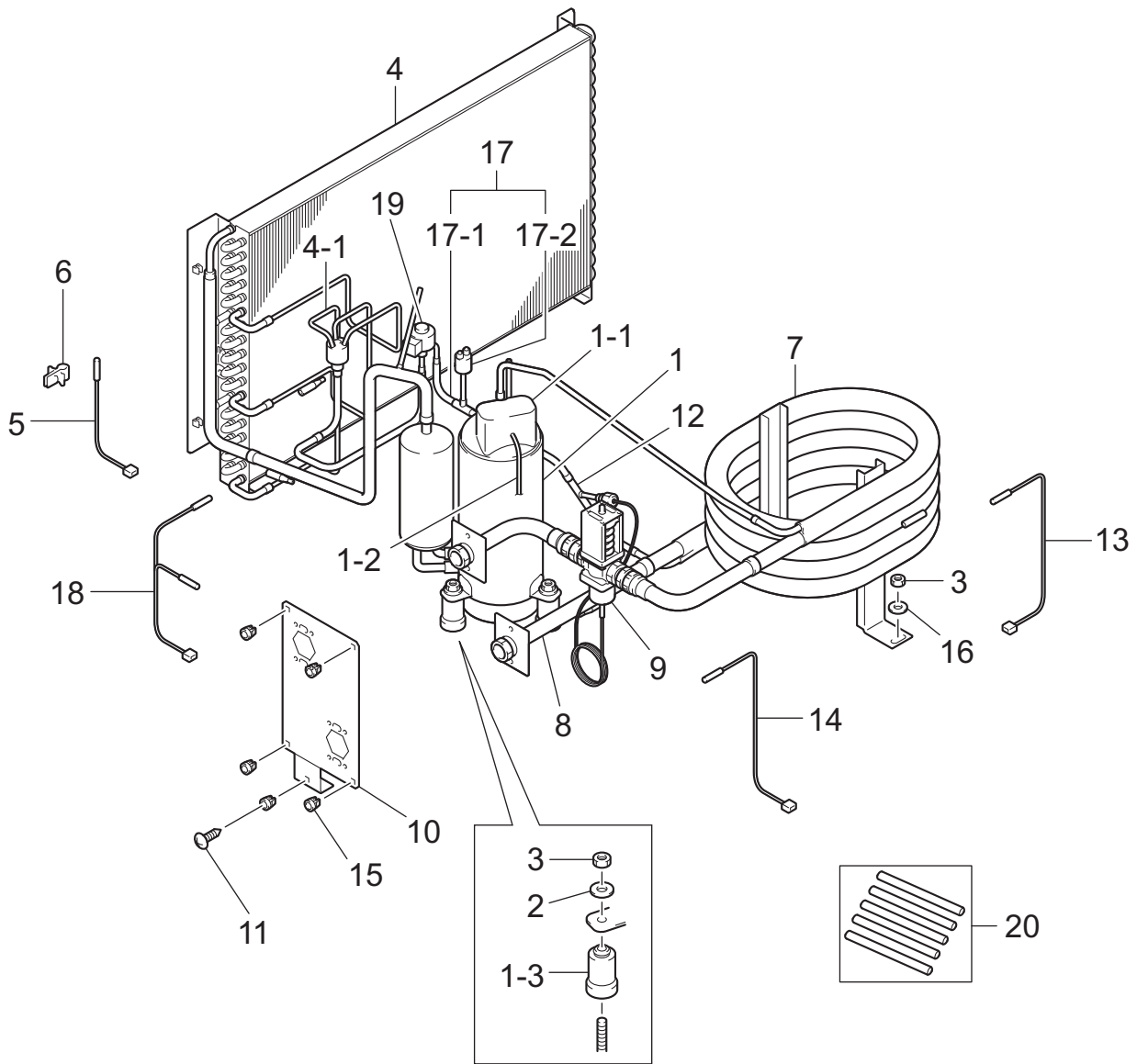
ILL. No.	DESCRIPTION	PART No.	QTY.	UNIT SERIAL No. RANGE*	REMARKS**
1	Connector	479748-0020	1		For Power Cord
2	Washer, Plate	90201-06400	1		For Ground
3	Screw	90051-06120	1		Ground, M6x1, L=12
4	Grommet	484926-0450	2		For Signal/WMC Wire
5	Nut, Holder	484919-0070	2		For Signal/WMC Wire
6	Clip	482852-0890	1		w/Pin
7	Stay Assy, Right Rear	484330-0660	1		
8	Screw	949006-5850	98		M4x0.7, L=10
9	Stay Assy, Right Front	484330-0670	1		
10	Stay Assy, Left	481821-1401	2		
11	Pan Assy	484430-0740	1		w/ILL.No.11-1, 12
11-1	Drain Pan	484440-0220	1		Drain Pan Only
12	Pump Assy	484780-0250	1		w/ILL.No.12-1~12-2
12-1	Pump	484780-0240	1		
12-2	Float Switch	483651-0080	1		
13	Screw, Tapping	949001-1570	8		D4, L=10
14	Frame Assy	484300-3220	1		
15	Stay Assy, Front	484330-0680	1		
16	Nut	949056-3700	5		M5x0.8
17	Clip	479848-0150	2		
18	Panel Assy, Right	484410-9600	1		w/Insulators
19	Panel Assy, Front	484410-9610	1		w/ILL.No.19-1
19-1	Duct Sub-Assy	484360-0840	1		
20	Bolt	91570-05101	6		M5x0.8, L=10
21	Jumper Connector	484930-9931	1		
22	Cover Plate	484411-6270	1		
23	Panel Assy, Left Front	484410-9430	1		
24	Panel Assy, Left Rear	484411-6280	1		
25	Panel Assy, Rear	484410-9620	1		
26	Fan Sub-Assy	484220-0030	1		Box Fan
27	Panel Assy, Top	484410-9630	1		
28	Panel Assy, Service	484410-9640	1		
29	Cap	484922-0200	1		
30	Clip, Hose	949351-0800	1		

*: Please refer to page number 2 for the position of the nameplate showing the serial number on the unit.

"Unit Serial Number Range*" column indicates the first four digits of the unit serial number.

** : Please refer to the Reference Table on page number 15 for more information on the remarks.

CMW30



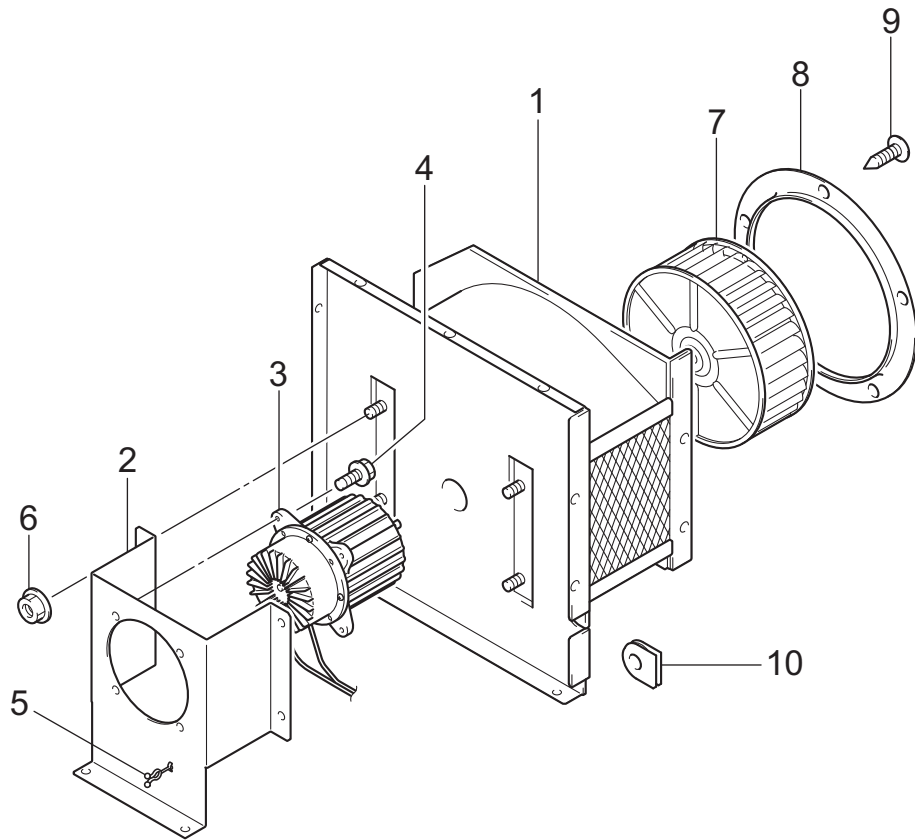
ILL. No.	DESCRIPTION	PART No.	QTY.	UNIT SERIAL No. RANGE*	REMARKS**
1	Compressor Assy	484650-3150	1		w/Pipe For Discharge & Suction w/ILL.No.1-1~1-3
1-1	Overload Relay	484501-0460	1		Inside Compressor Cover
1-2	Wire Assy	481950-0961	1		
1-3	Cushion	484904-0430	3		
2	Washer, Steel Plate	949011-5330	3		
3	Nut	90190-08651	5		M8x1.25
4	Core Assy, Evaporator	484600-2600	1		w/ILL.No.4-1
4-1	Distributor Assy	484620-0150	1		
5	Thermistor	484532-0182	1		Evaporator Air Inlet (RTS2)
6	Clip	482852-0930	1		
7	Core Assy, Condenser	484600-2740	1		w/Insulators
8	Pipe Assy	484800-5320	1		w/Insulators
9	Water Regulating Valve Assy	481880-0100	1		w/Connectors, Pipes, Insulators
10	Stay Assy	484330-0790	1		w/Insulators
11	Screw, Tapping	949001-1570	1		D4, L=10
12	Pipe Assy	484800-5180	1		w/Insulators
13	Thermistor	484532-0370	1		Condenser (CTS1)
14	Thermistor	484532-0380	1		Entering Water (EWTS)
15	Screw, Grommet	482836-3520	5		
16	Washer, Steel Plate	949011-2220	2		
17	Pipe Assy	484800-5360	1		w/Insulators, ILL.No.17-1~17-2
17-1	Pipe Assy, Connecting	484800-5310	1		
17-2	High Pressure Switch Assy	484660-2500	1		
18	Thermistor	484532-0211	1		Evaporator Pipe Inlet (CTS2) & Outlet (CTS3)
19	Expansion Coil	484500-3830	1		
20	Pipe Assy, Charging	484800-0440	1		5 Pieces per Package

*: Please refer to page number 2 for the position of the nameplate showing the serial number on the unit.

"Unit Serial Number Range*" column indicates the first four digits of the unit serial number.

** : Please refer to the Reference Table on page number 15 for more information on the remarks.

CMW30



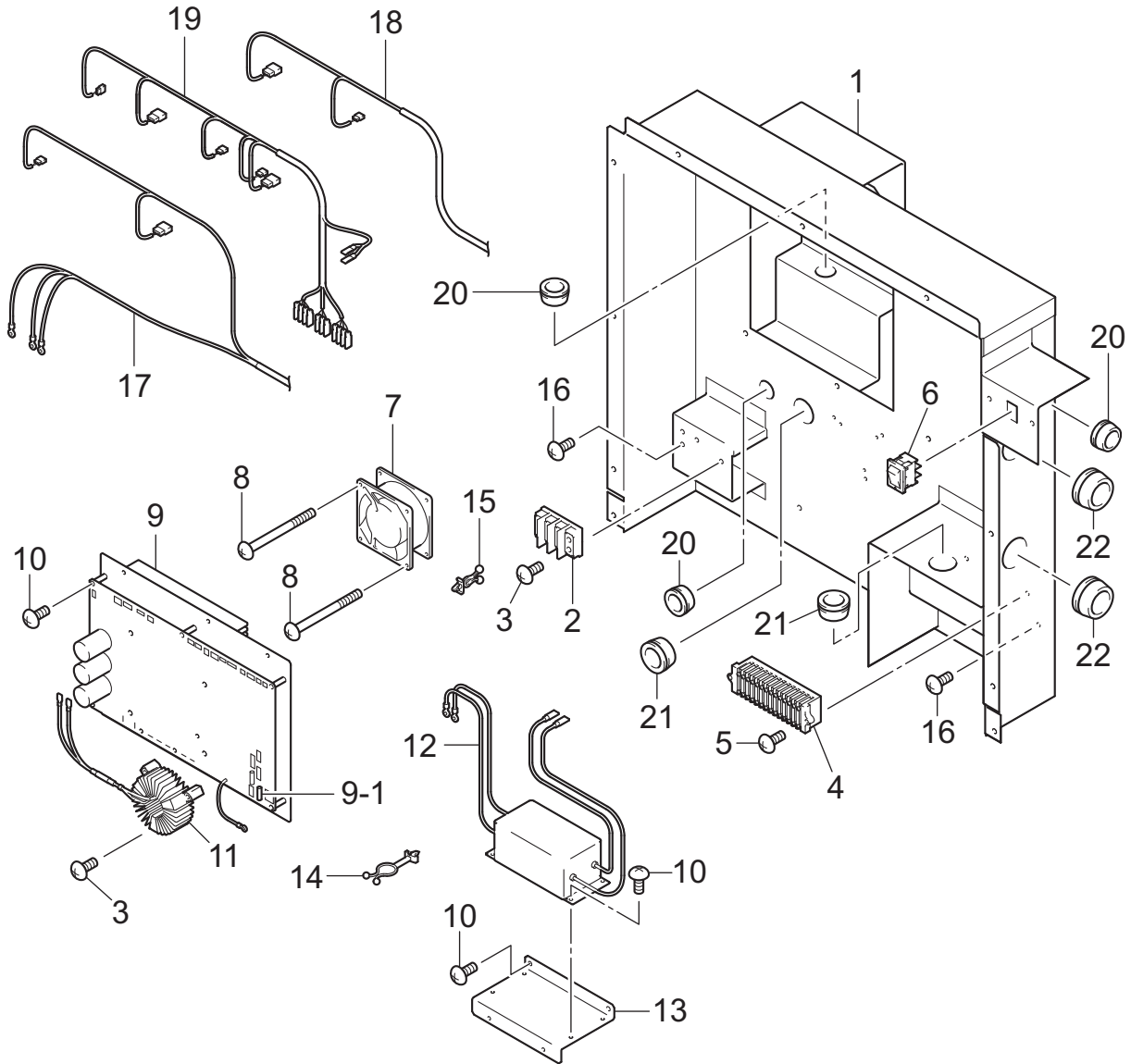
ILL. No.	DESCRIPTION	PART No.	QTY.	UNIT SERIAL No. RANGE*	REMARKS**
1	Casing, Evaporator Fan	484260-0500	1		
2	Frame Assy	484300-3380	1		w/Insulators
3	Motor, Evaporator	484211-1870	1		
4	Bolt w/Washer	91570-06201	4		M6x1, L=20
5	Clamp	473459-0160	1		D11.5, w/Pin
6	Nut	949056-1430	4		M6x1
7	Fan, Evaporator	484221-0610	1		
8	Ring Sub-Assy	484280-0120	1		
9	Screw, Tapping	949001-1570	6		D4, L=10
10	Grommet	484926-0290	1		For Pump Wire

*: Please refer to page number 2 for the position of the nameplate showing the serial number on the unit.

"Unit Serial Number Range*" column indicates the first four digits of the unit serial number.

** : Please refer to the Reference Table on page number 15 for more information on the remarks.

CMW30



ILL. No.	DESCRIPTION	PART No.	QTY.	UNIT SERIAL No. RANGE*	REMARKS**
1	Box Sub-Assy	484520-1280	1		
2	Terminal	484503-1310	1		For Power
3	Screw	949006-3280	5		M4x0.7, L=18
4	Terminal	484503-0980	1		For Signal
5	Screw	949006-6220	2		M3x0.5, L=12
6	Switch	484502-0550	1		Stop Switch
7	Motor	484211-1960	1		Box Fan
8	Screw	91050-04501	2		M4x0.7, L=50
9	Relay Board	484500-4150	1		w/ILL.No.9-1
9-1	Fuse, Relay Board	481936-0210	1		3.15A, 250V 5 Pieces per Package
10	Screw	949006-5850	13		M4x0.7, L=10
11	Inductor Coil	484500-3850	1		450V, 20A
12	Noise Filter	484500-3880	1		250VAC, 20A
13	Stay	481821-1520	1		
14	Clamp	473459-0160	1		D11.5, w/Pin
15	Clip	482852-0240	1		
16	Screw	91051-04100	2		Ground, M4x0.7, L=10
17	Wire Assy	481950-1220	1		(RB)↔(PUMP)
18	Wire Assy	481950-1210	1		(RB)↔(EXV)
19	Wire Assy	481950-0940	1		(RB)↔(TB2)
20	Grommet	949321-3000	3		D20, For Stop Switch Wire
21	Grommet	949321-3010	2		D26, For Compressor Wires
22	Grommet	484926-0860	2		D33, For Motor Wires

*: Please refer to page number 2 for the position of the nameplate showing the serial number on the unit.

"Unit Serial Number Range*" column indicates the first four digits of the unit serial number.

** : Please refer to the Reference Table on page number 15 for more information on the remarks.

[Memo]

Reference Table:

CTS1	Condenser Thermistor	RB	Relay Board
CTS2	Evaporator Pipe Inlet Thermistor	RTS2	Evaporator Inlet Air Thermistor
CTS3	Evaporator Pipe Outlet Thermistor	TB2	Terminal Block 2
EWTS	Entering Water Thermistor	WMC	Wall Mounted Controller
EXV	Electronic Expansion Valve		

DENSO

DENSO PRODUCTS AND SERVICES AMERICAS, INC.

Long Beach, CA 90810
www.movincool.com

Fourth Issue: March 2016