

SPARE PARTS CATALOG

OFFICE PRO W20



MOVINCOOL®
THE #1 SPOT COOLING SOLUTION

Table of Contents

No.	UNIT PART NUMBER	PRODUCTION PERIOD	REFRIGERANT	SECTION	ISSUE DATE (mm/'yy)
1	GX484000-4230	FROM January 2011 (0111) TO Present	R410-A	Page 3 ~ 15 SP0035-00	01/'11

© 2011 DENSO SALES CALIFORNIA, INC.

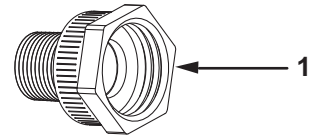
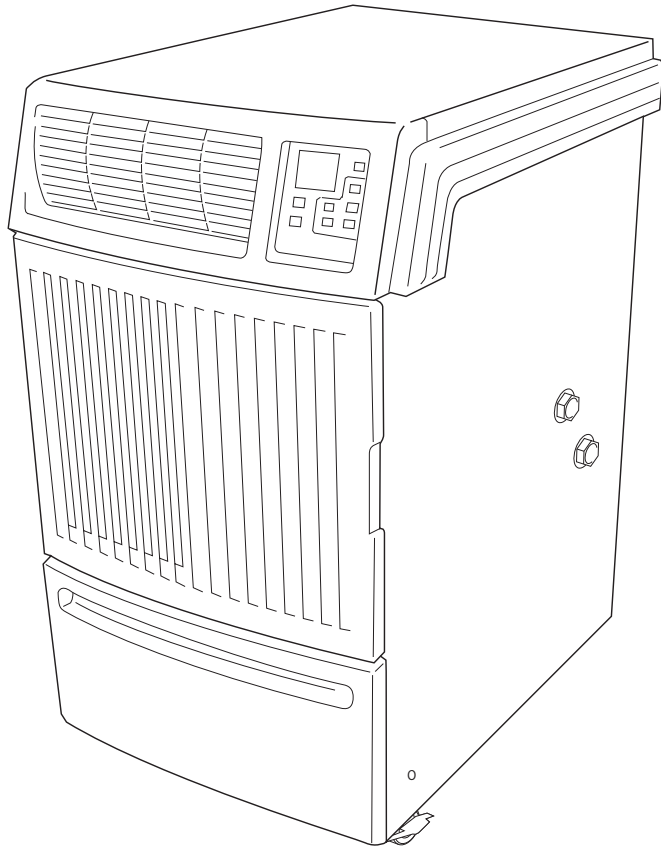
All rights reserved. This book may not be reproduced or copied, in whole or in part, without the written permission of the publisher. DENSO SALES CALIFORNIA, INC. reserves the right to make changes without prior notice. MovinCool®, Office Pro® and SpotCool® are registered trademarks of DENSO Corporation.

OFFICE PRO W20

Unit Part No: GX484000-4230

Production Period: From January 2011 (0111)
To Present

OFFICE PRO W20

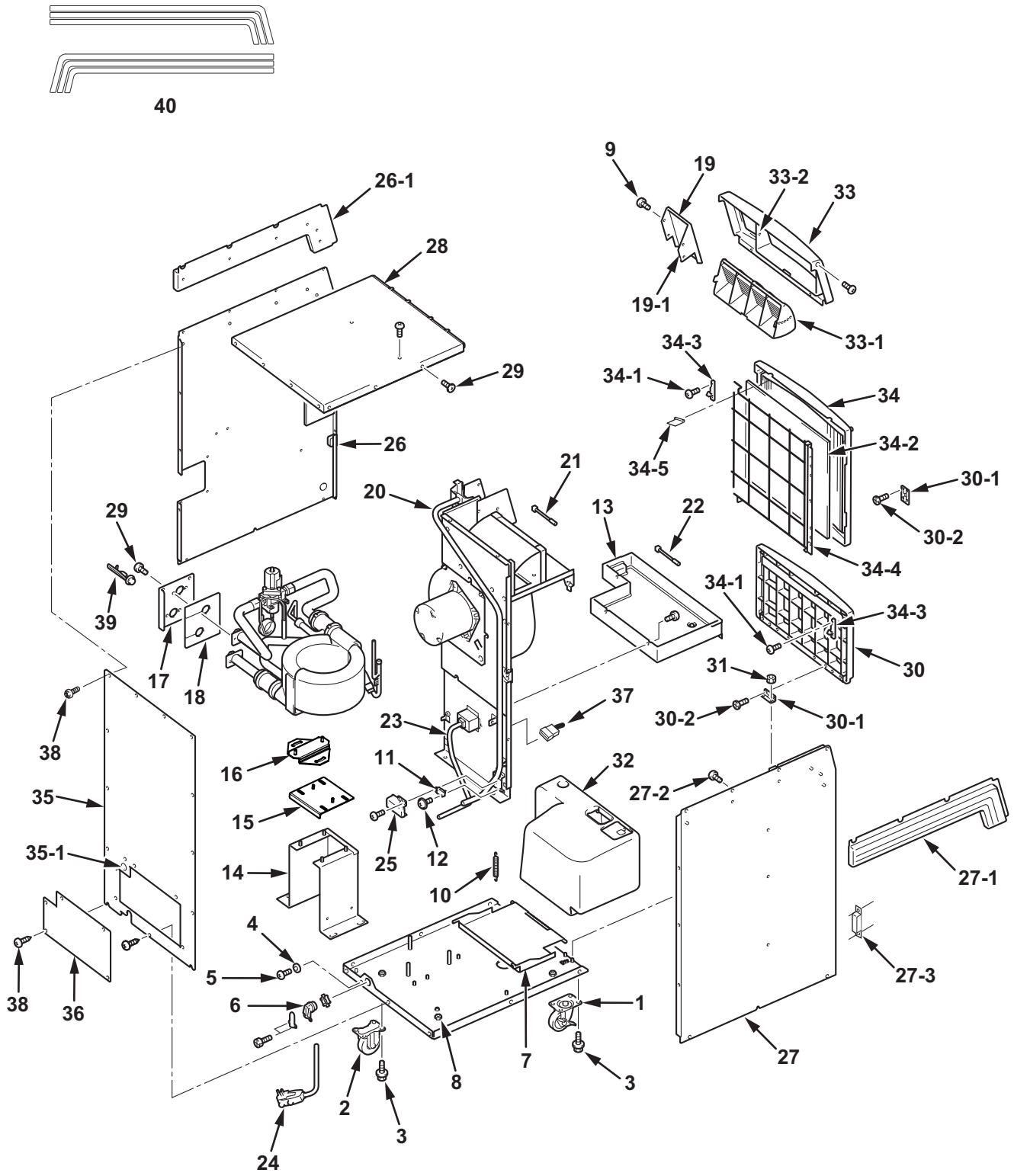


ILL00122-00

OFFICE PRO W20

ILL. NO.	DESCRIPTION	PART NO.	QTY.	MODIFICATION DATE (mm/yy)	REMARKS
1	Connector	GX484784-0190	2		Garden Hose Adapter

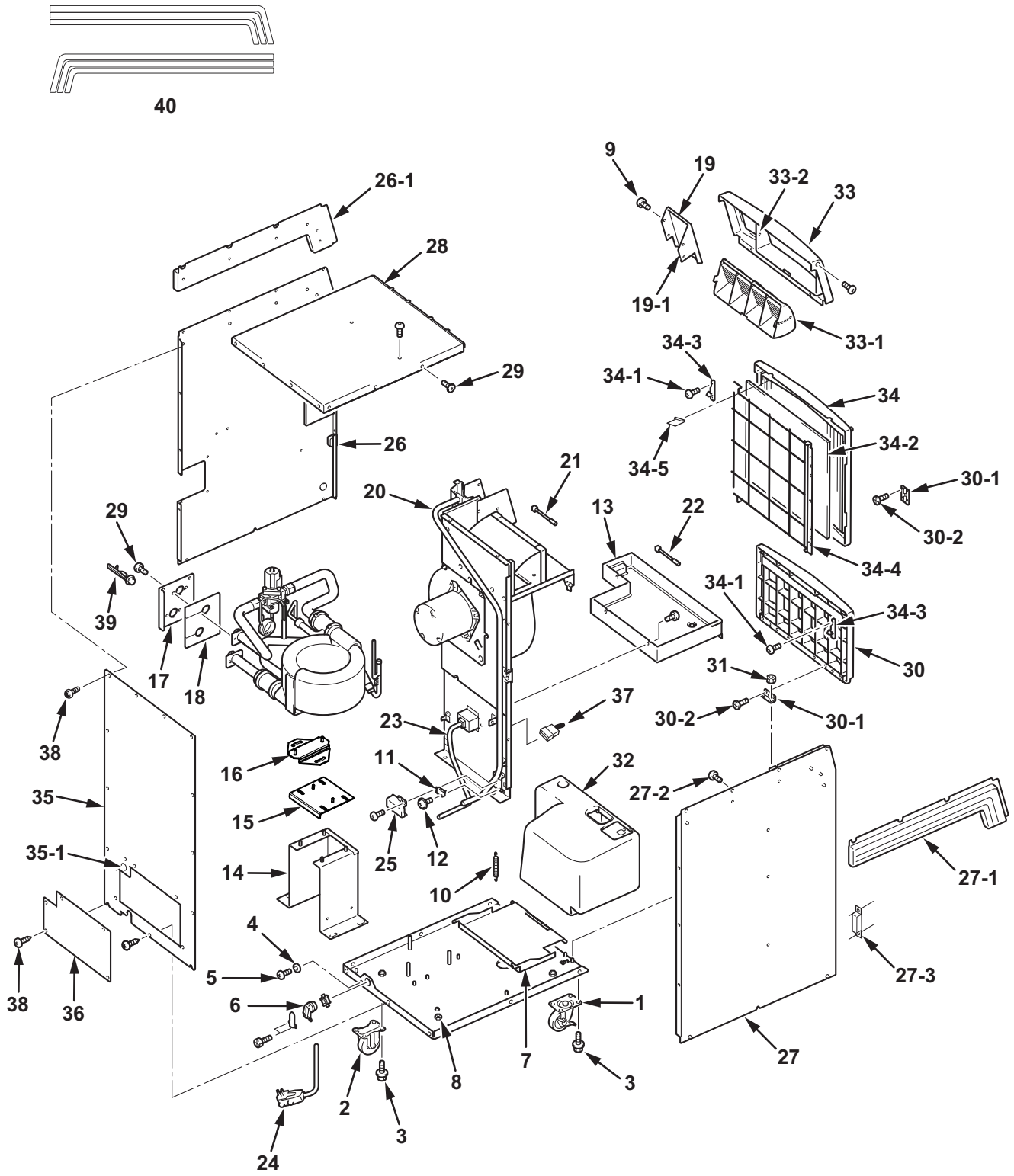
OFFICE PRO W20



OFFICE PRO W20

ILL. NO.	DESCRIPTION	PART NO.	QTY.	MODIFICATION DATE (mm/'yy)	REMARKS
1	Caster w/Brake	LA484702-0330	2		
2	Caster	LA484702-0340	2		
3	Bolt w/Washer	91510-08141	8		M8×1.25, L=14
4	Washer, Plate	90201-06400	1		For Ground Screw
5	Screw	90051-06120	1		Ground, M6×1, L=12
6	Connector	LA484506-0090	1		Clamp For Power Cord
7	Frame Sub-Assy	LA484310-3600	1		For Drain Tank
8	Nut	949056-1501	3		M4×0.7
9	Screw	949006-5850	25		M4×0.7, L=10
10	Spring, Tension Coil	949171-2090	2		For Drain Tank
11	Switch, Drain Tank	LA484502-0380	1		For Drain Tank
12	Screw w/Washer	91310-03161	2		M3×0.5, L=16
13	Pan Assy, Drain	LA484430-0120	1		
14	Frame Assy, Condenser	GX484310-5960	1		
15	Bracket, Condenser	GX484320-0700	1		
16	Bracket, Sub-Assy	GX484320-0720	1		
17	Panel, Water Connector	GX484410-9530	1		
18	Packing	GX481862-2040	1		For Connector Panel
19	Switch Assy	GX484560-2190	1		Operation Panel & PCB w/ILL.NO. 19-1
19-1	Cover Assy	GX484420-0630	1		Operation Panel
20	Wire Assy	GX481950-1010	1		(RB)↔(CB)
21	Thermistor, Room Temperature	LAY84532-0021	1		
22	Thermistor, Anti-Freeze Up	LAY84532-0011	1		
23	Wire Assy, Drain Pump	GX481950-1030	1		
24	Wire Assy, Power Cord	LA484930-8650	1		
25	Cover	LA484391-1870	1		For Drain Switch
26	Panel Assy, Right	GX484410-9460	1		w/ILL.NO. 26-1
26-1	Right Handle	LA484450-0051	1		
27	Panel Assy, Left	GX484410-9470	1		w/ILL.NO. 27-1~27-3
27-1	Left Handle	LA484450-0061	1		
27-2	Screw, Tapping	949001-3530	6		
27-3	Catch	LA481922-0030	1		Door Hook
28	Panel Assy, Top Rear	GX484410-9480	1		
29	Screw	480919-0860	10		Countersunk Head Screw M4×0.7, L=10
30	Panel Assy, Drain Tank	LA484410-5031	1		w/ILL.NO. 30-1~30-2, 34-1, 34-3
30-1	Hinge	LA484912-0040	2		
30-2	Screw	949006-3300	4		M3×0.5, L=6
31	Nut	91160-03241	4		M3×0.5
32	Tank, Drain	484731-0021	1		

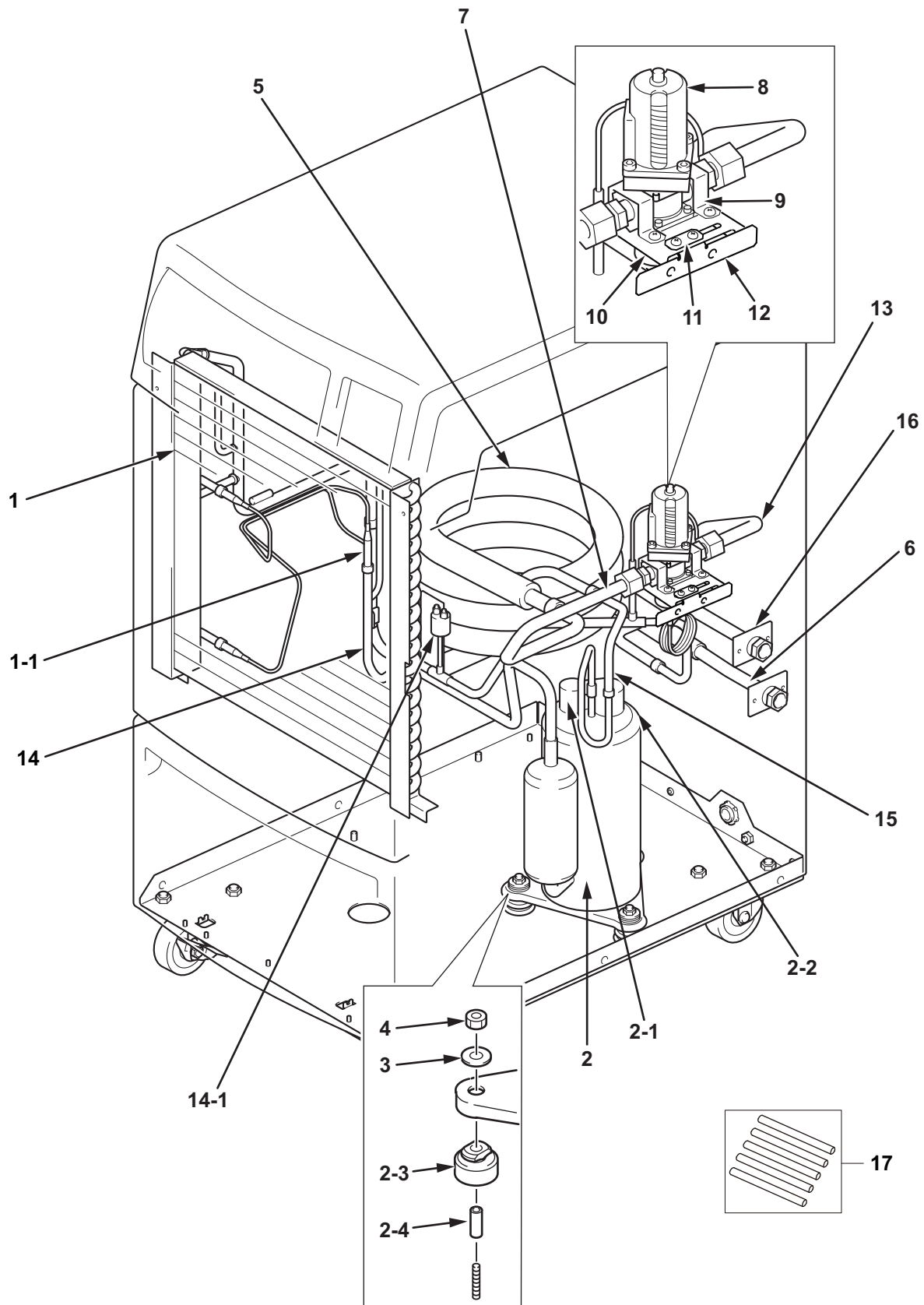
OFFICE PRO W20



OFFICE PRO W20

ILL. NO.	DESCRIPTION	PART NO.	QTY.	MODIFICATION DATE (mm/'yy)	REMARKS
33	Panel Assy, Top Front	LA484410-5041	1		w/ILL.NO. 33-1~33-2
33-1	Air Louver, Outlet	LA480431-0091	1		
33-2	Pin	LA484913-0070	2		
34	Panel Assy, Front Filter	LAY84410-0021	1		w/ILL.NO. 30-1~30-2, 34-1~34-5
34-1	Screw, Tapping	LA949001-1730	6		D4, L=16
34-2	Filter	LA484401-1160	1		
34-3	Holder	LA484927-1010	3		Door Hook
34-4	Wire Frame, Evaporator	LAY84310-0020	1		
34-5	Clip	LAY84917-0051	2		Holder, Wire Frame
35	Panel Assy, Rear	GX484410-9490	1		w/ILL.NO. 35-1
35-1	Cap Cover	GX484926-0700	1		
36	Panel Assy, Service	GX484410-9500	1		
37	Connector, Jumper	LA484930-8160	1		Drain Pump
38	Screw w/Washer	480919-0370	39		M4×0.7, L=10
39	Plug, Water Connector	GX481889-0060	2		
40	Stripe Kit Assy	LA484003-1110	1		6 Each (Both Sides)

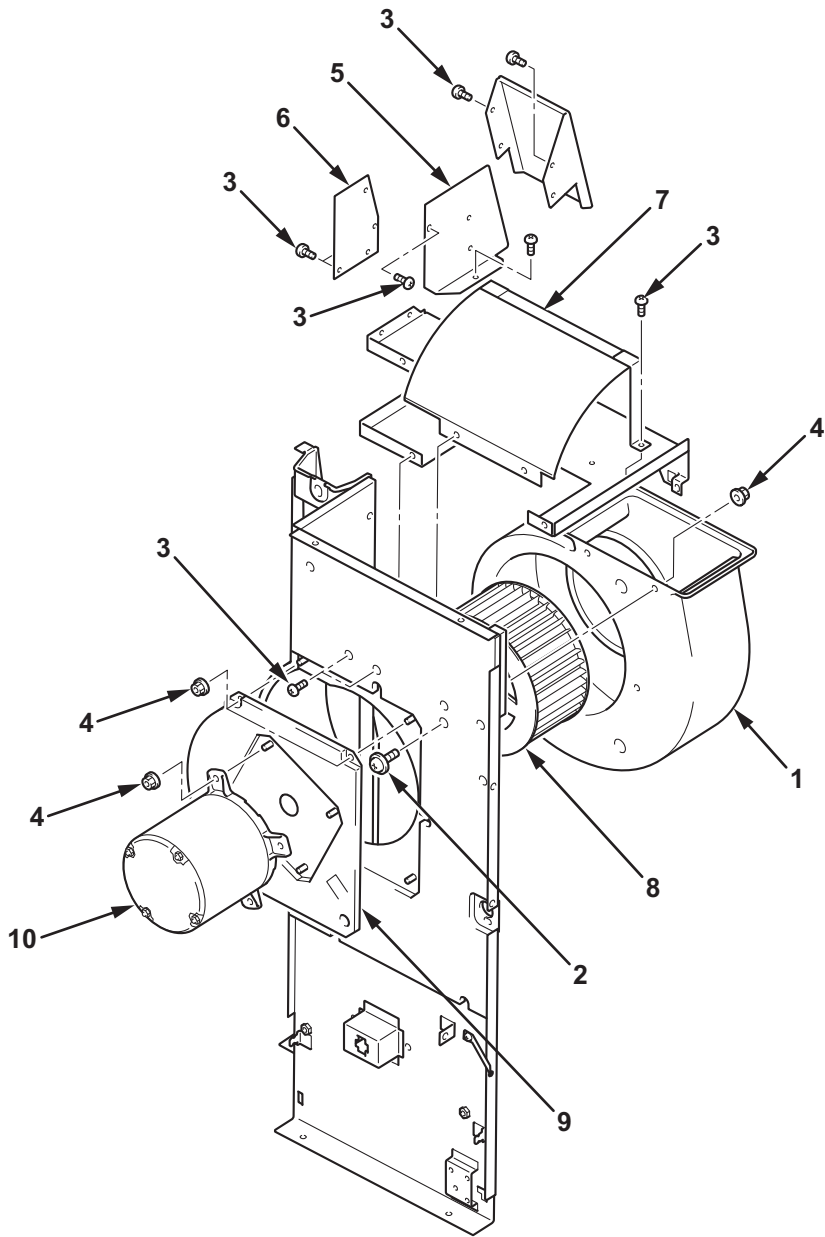
OFFICE PRO W20



OFFICE PRO W20

ILL. NO.	DESCRIPTION	PART NO.	QTY.	MODIFICATION DATE (mm/yy)	REMARKS
1	Core Assy, Evaporator	GX484600-2620	1		w/ILL.NO.1-1
1-1	Pipe Assy, Capillary	GX484800-5000	1		
2	Compressor Assy	GX484650-3080	1		w/Pipe For Discharge & Suction w/ILL.NO. 2-1~2-4
2-1	Overload Relay	GX484501-0410	1		Inside Compressor Cover
2-2	Wire Assy	GX481950-1020	1		
2-3	Cushion	GX484904-0380	3		
2-4	Collar	GX484915-0410	3		
3	Washer, Steel Plate	949011-5330	3		
4	Nut	90190-08651	3		M8×1.25
5	Core Assy, Condenser	GX484600-2650	1		w/Insulation Packing
6	Water Inlet Pipe, Condenser	GX484800-5020	1		
7	Water Pipe, Condenser	484800-5031	1		
8	Water Regulating Valve	GX481880-0090	1		w/Connectors
9	Bracket	GX484321-3820	2		
10	Bracket	GX484321-3940	1		
11	Plate	GX484311-3600	1		
12	Bracket	GX484321-3950	1		
13	Water Outlet Pipe	GX484800-5041	1		
14	Pipe Assy, Connecting	GX484800-5010	1		w/ILL.NO. 10-1
14-1	High Pressure Switch Assy	GX484660-0590	1		
15	Pipe, Discharge	480261-4990	1		
16	Flange Insulation Packing	GX481862-2010	2		
17	Pipe Assy, Charging	484800-0440	1		5 Pieces Per Package

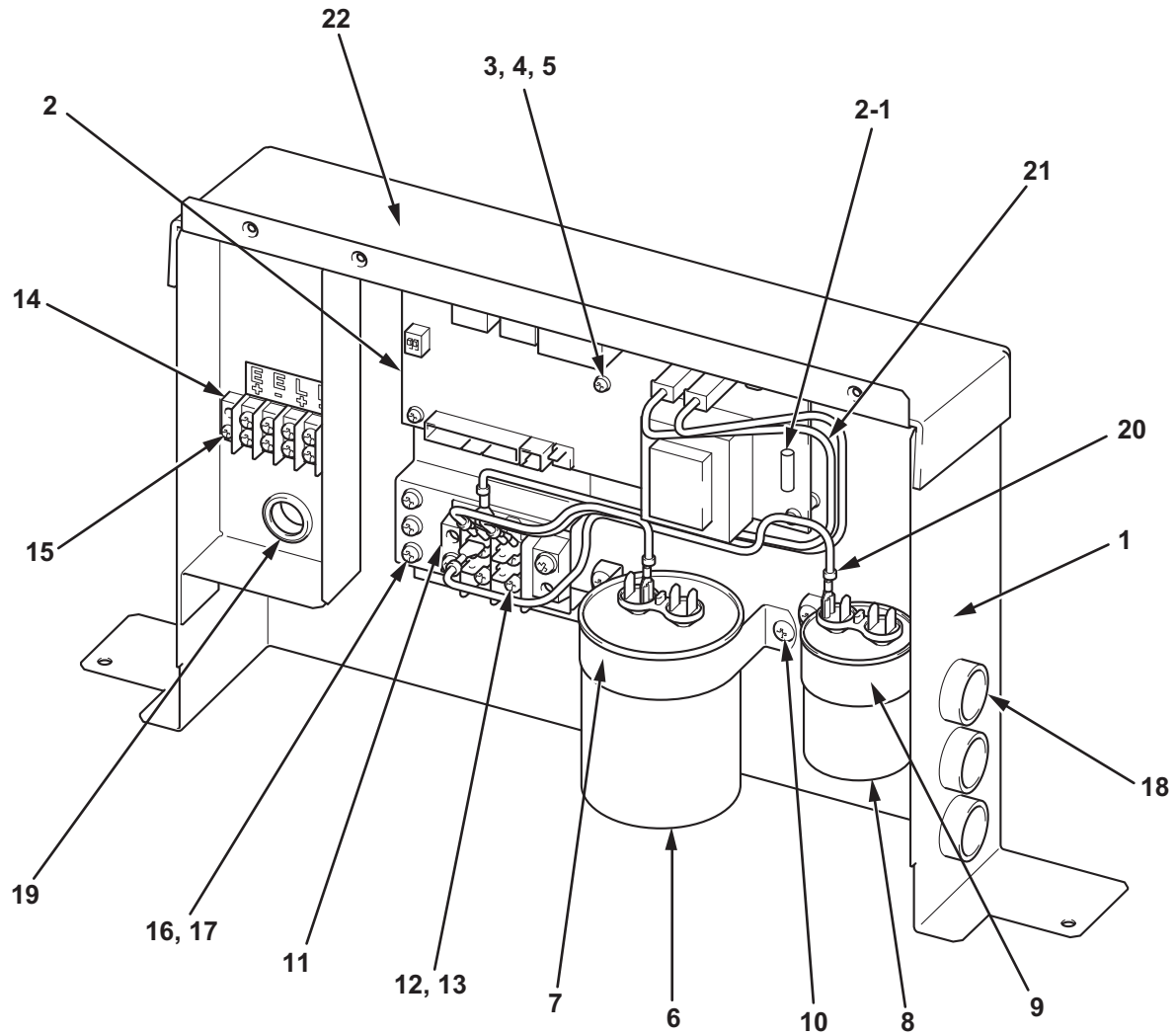
OFFICE PRO W20



OFFICE PRO W20

ILL. NO.	DESCRIPTION	PART NO.	QTY.	MODIFICATION DATE (mm/'yy)	REMARKS
1	Casing, Evaporator Fan	LA484261-0260	1		
2	Screw w/Washer	91370-06161	4		M6×1, L=16
3	Screw	949006-5850	15		M4×0.7, L=10
4	Nut	GX949056-1430	12		M6×1
5	Stay, Control Panel Left	GX484340-3040	1		
6	Stay, Control Panel Right	LA484331-6670	1		
7	Stay Sub-Assy	LA484340-0920	1		
8	Fan, Evaporator	LA484221-0360	1		w/Set Screw
9	Motor Stay	GX484330-0690	1		
10	Fan Motor	GX484211-1950	1		

OFFICE PRO W20



OFFICE PRO W20

ILL. NO.	DESCRIPTION	PART NO.	QTY.	MODIFICATION DATE (mm/'yy)	REMARKS
1	Box Sub-Assy	GX484520-1220	1		
2	Relay Board	GX484500-3580	1		w/ILL. NO.2-1
2-1	Fuse, Relay Board	LAY65765-0030	1		250mA, 250V
3	Spacer	LA484921-0150	5		
4	Screw w/Washer	91370-03081	5		M3×0.5, L=8
5	Washer, Plate	90200-03211	5		
6	Capacitor, Compressor	GX484507-1770	1		370VAC, 60μF
7	Holder	LA484927-1020	1		
8	Capacitor, Fan	GX484507-1780	1		370VAC, 7.5μF
9	Holder	LA484927-0880	1		
10	Screw	949006-5850	5		M4×0.7, L=10
11	Terminal Block	LA484503-040A	1		For Power
12	Screw	949006-3280	2		M4×0.7, L=18
13	Washer, Plate	90200-04331	2		
14	Terminal Block	GX484503-0840	1		For Input/Output Signal
15	Screw w/Washer	91310-03161	2		M3×0.5, L=16
16	Screw	91051-04100	3		Ground, M4×0.7, L=10
17	Washer, Plate	90201-04300	3		Ground
18	Grommet	LA484926-0490	3		
19	Grommet	LA484926-0500	1		
20	Wire Assy	LA484930-5222	1		(TB1)↔(CC), (TB1)↔(CF)
21	Wire Assy	GX481950-1050	1		(TB1)↔(CF)
22	Packing	GX481862-2090	1		For Control Box

DENSO
DENSO SALES CALIFORNIA, INC.

Long Beach, CA 90810
www.movincool.com

First Issue: January 2011