

SPARE PARTS CATALOG

CLASSIC PLUS 14



MOVINCOOL®
THE #1 SPOT COOLING SOLUTION

Table of Contents

No.	UNIT PART NUMBER	PRODUCTION PERIOD	REFRIGERANT	SECTION	ISSUE DATE (mm/yy)
1	GX484000-3790	FROM January 2008 (0108) TO Present	R410A	Page 3 ~ 13 SP0014-00	06/'08
2	GX484000-3720	FROM April 2007 (0407) TO December 2007 (1207)	R22	Page 15 ~ 25 SP0013-00	06/'08
3	LA484000-3420	FROM February 1998 (0298) TO March 2007 (0307)	R22	Page 27 ~ 39 SP0012-00	06/'08
	LA484000-2191				

© 2008 DENSO SALES CALIFORNIA, INC.

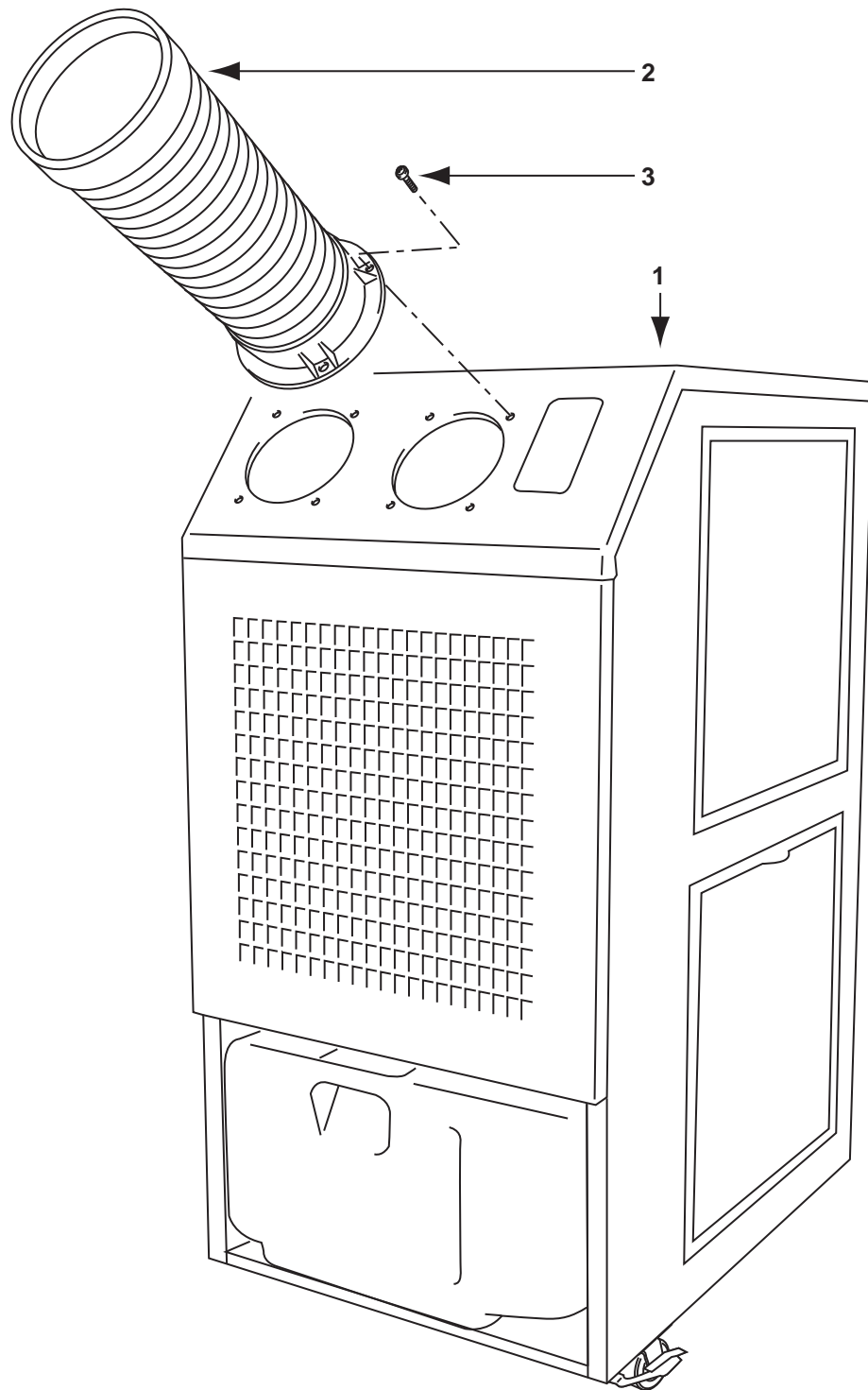
All rights reserved. This book may not be reproduced or copied, in whole or in part, without the written permission of the publisher. DENSO SALES CALIFORNIA, INC. reserves the right to make changes without prior notice. MovinCool is a registered trademark of DENSO Corporation.

CLASSIC PLUS 14

Unit Part No: GX484000-3790

Production Period: From January 2008 (0108)
To Present

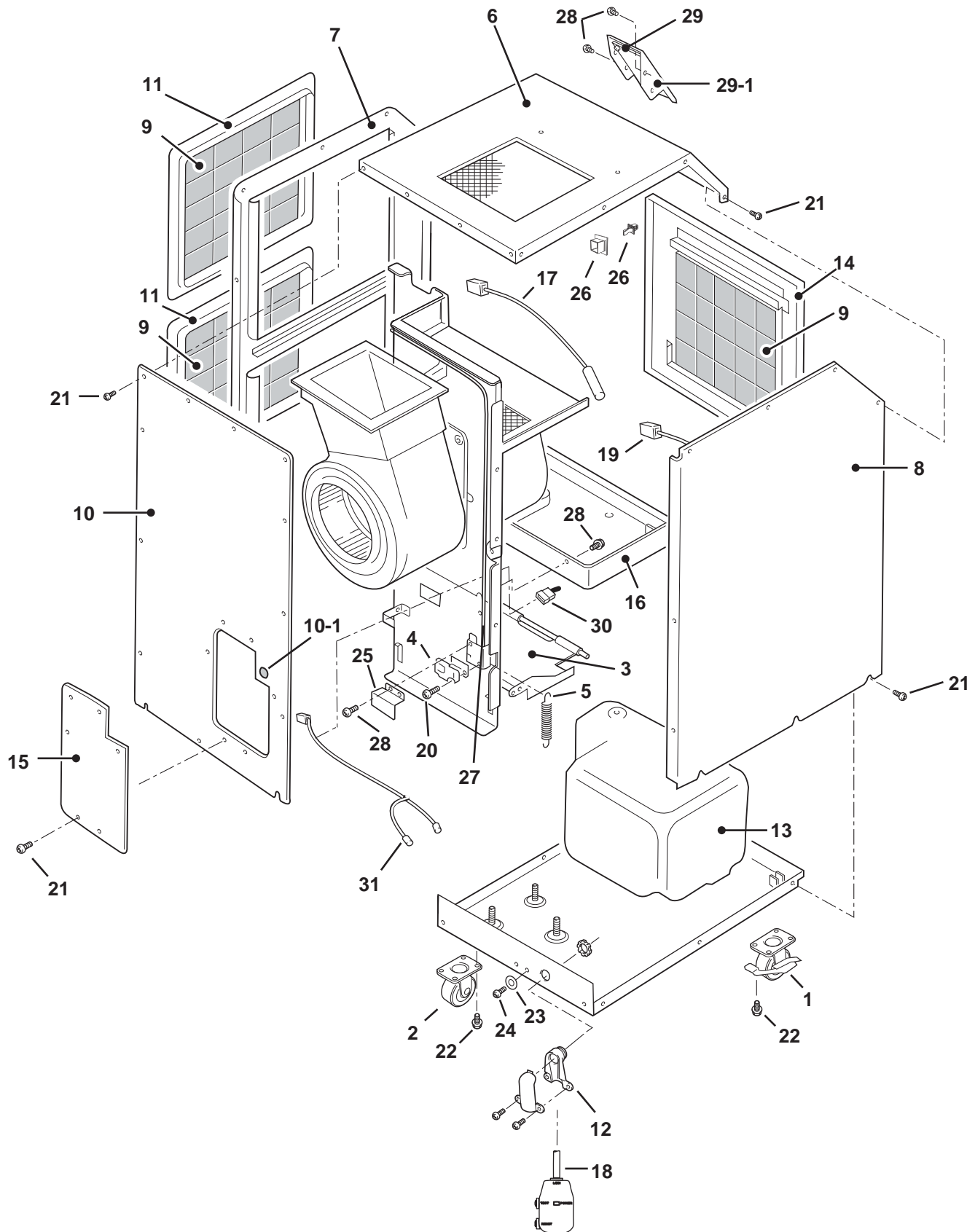
CLASSIC PLUS 14



CLASSIC PLUS 14

ILL. NO.	DESCRIPTION	PART NO.	QTY.	MODIFICATION DATE (mm/yy)	REMARKS
1	Unit Assy				
2	Duct Assy	LAY84209-0030	2		
3	Screw w/Washer	91370-06121	8		M6x1, L=12

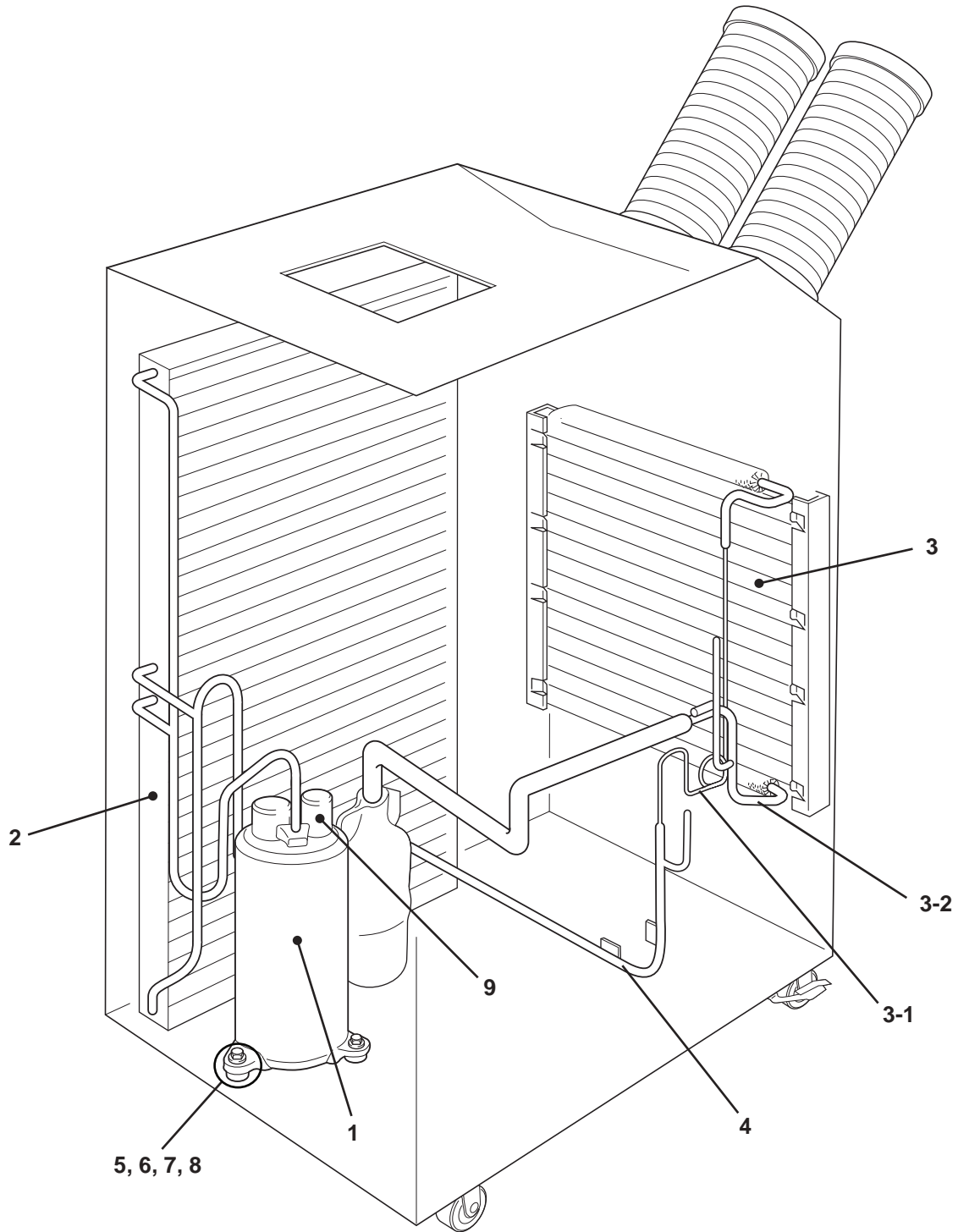
CLASSIC PLUS 14



CLASSIC PLUS 14

ILL. NO.	DESCRIPTION	PART NO.	QTY.	MODIFICATION DATE (mm/yy)	REMARKS
1	Caster w/Brake	LA484702-0330	2		
2	Caster	LA484702-0340	2		
3	Frame Sub-Assy	LA484310-3600	1		For Drain Tank
4	Switch, Drain Tank	LA484502-0380	1		
5	Spring, Tension Coil	949171-2090	2		
6	Panel Assy, Upper	GX484410-8030	1		
7	Panel Assy, Right	GX484410-8780	1		
8	Panel Assy, Left	LA484410-8790	1		
9	Element, Filter	LA484401-1100	3		
10	Panel Assy, Rear	LA484410-8800	1		w/ILL.NO.10-1
10-1	Cap Cover	GX484926-0700	1		
11	Frame Assy, Filter (Condenser)	GX484400-0470	2		w/ILL.NO.9
12	Connector (Retainer, Power Cord)	LA484506-0090	1		
13	Tank, Drain	484731-0021	1		
14	Panel Assy, Front	LA484410-7940	1		w/ILL.NO.9, 26
15	Panel Assy, Service	GX484410-8810	1		
16	Pan Assy, Drain	LA484430-0120	1		
17	Thermistor, Room Temperature	LAY84532-0021	1		
18	Wire Assy, Power Cord	LA484930-8650	1		LCDI
19	Thermistor, Anti-Freeze Up	LAY84532-0011	1		
20	Screw w/Washer	91310-03161	2		M3x0.5, L=16
21	Screw w/Washer	480919-0370	43		M4x0.7, L=10
22	Bolt w/Washer	91510-08141	8		M8x1.25, L=14
23	Washer, Plate	90201-06400	1		Ground
24	Screw	90051-06120	1		Ground (M6x1, L=12)
25	Cover	LA484391-1870	1		
26	Holder, Front Panel Clip	LA484009-0700	2		Male & Female Kit
27	Wire Assy	GX484930-9122	1		Main Harness (RB)↔(CB)
28	Screw	949006-5850	27		M4x0.7, L=10
29	Switch Assy	GX484560-1842	1		Operation Panel & PCB w/ILL.NO.29-1
29-1	Cover Assy	GX484420-0470	1		Operation Panel
30	Connector, Jumper	LA484930-8160	1		Drain Pump
31	Wire Assy, Drain Pump	LA484930-8330	1		Pump

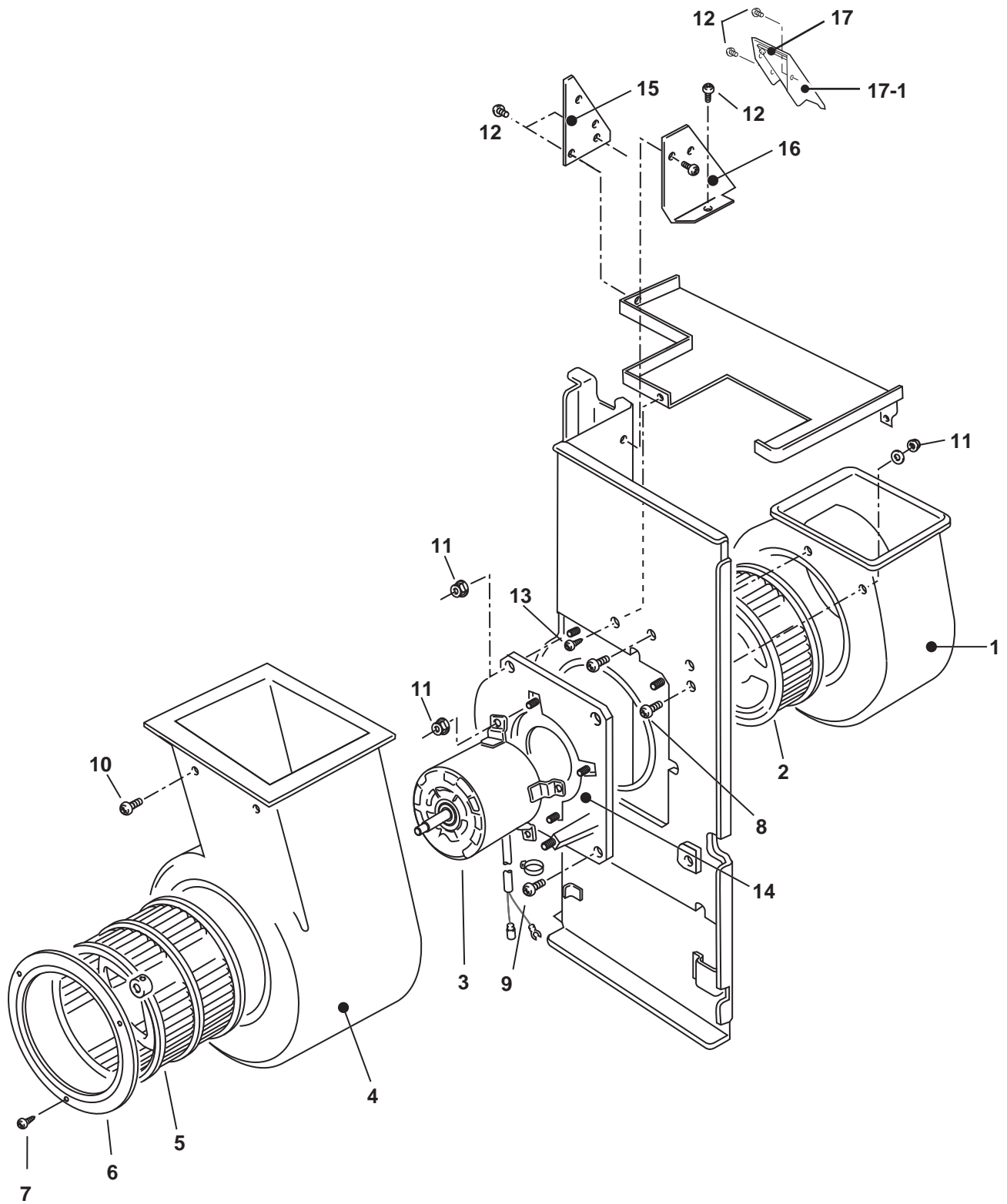
CLASSIC PLUS 14



CLASSIC PLUS 14

ILL. NO.	DESCRIPTION	PART NO.	QTY.	MODIFICATION DATE (mm/yy)	REMARKS
1	Compressor Assy	GX484650-2750	1		w/ILL.NO.5, 6, 10
2	Core Assy, Condenser	GX484600-2270	1		
3	Core Assy, Evaporator	GX484600-2280	1		w/ILL.NO.3-1~3-2
3-1	Pipe Assy, Capillary	GX484800-4330	1		
3-2	Pipe Assy, Evaporator Outlet	GX484800-4350	1		
4	Pipe Assy, Connecting	GX484800-4340	1		
5	Cushion	GX484904-0380	3		
6	Collar, Steel	GX484915-0410	3		
7	Washer, Steel Plate	949011-5330	3		
8	Nut	90190-08651	3		M8x1.25
9	Overload Relay	GX484501-0420	1		

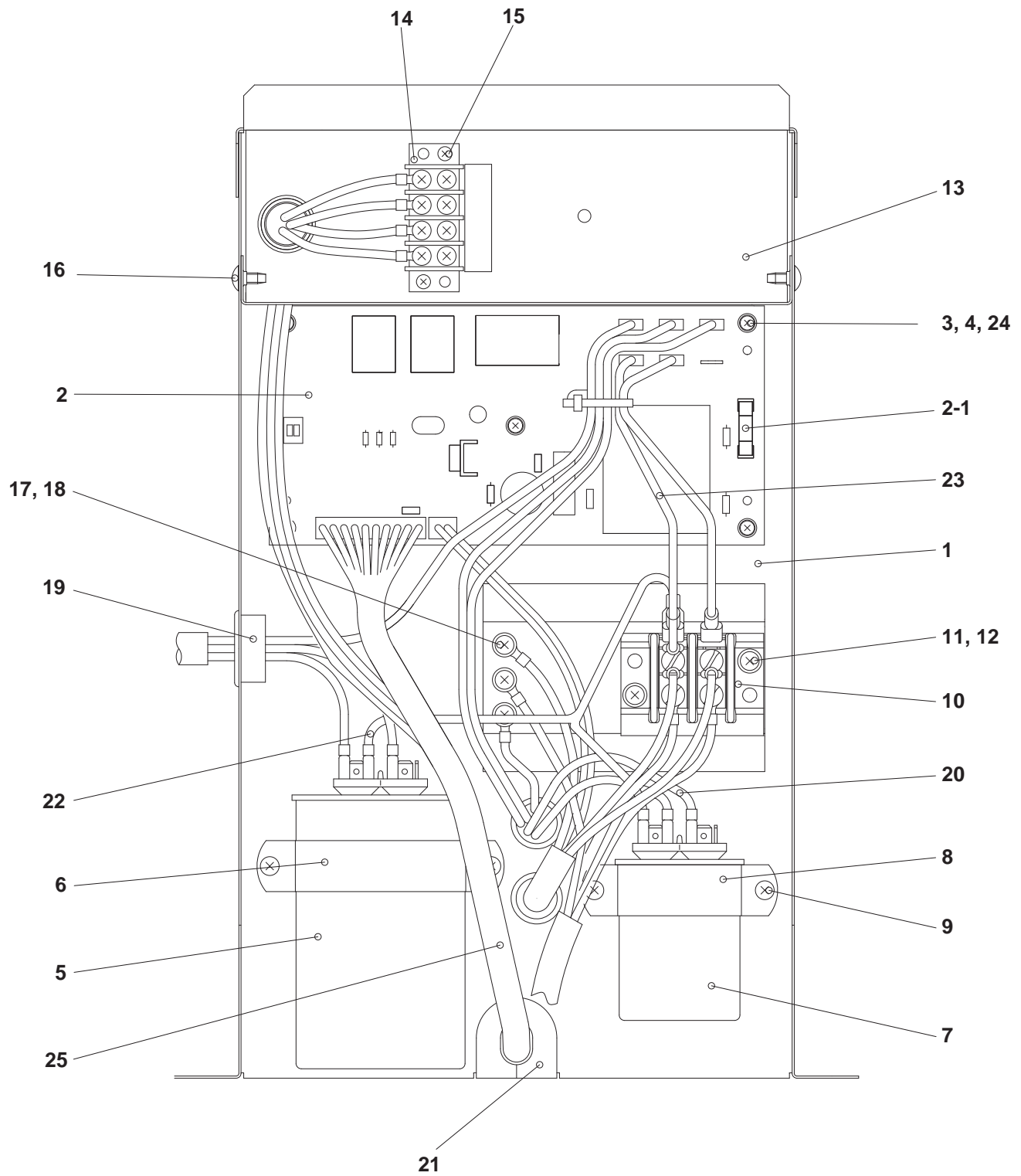
CLASSIC PLUS 14



CLASSIC PLUS 14

ILL. NO.	DESCRIPTION	PART NO.	QTY.	MODIFICATION DATE (mm/yy)	REMARKS
1	Casing, Evaporator Fan	LA484261-0260	1		
2	Fan, Evaporator	LA484221-0360	1		w/Set Screw
3	Fan Motor	LA484211-1343	1		
4	Casing Assy, Condenser Fan	LA484260-0310	1		
5	Fan, Condenser	LA484221-0370	1		w/Set Screw
6	Ring Sub-Assy	LA484280-0090	1		
7	Screw w/Washer	91370-04101	3		M4x0.7, L=10
8	Screw w/Washer	91370-06161	4		M6x1, L=16
9	Screw w/Washer	91370-06121	5		M6x1, L=12
10	Screw w/Washer	949007-3600	2		M4x0.7, L=10
11	Nut	949056-1430	8		M6x1
12	Screw	949006-5850	8		M4x0.7, L=10
13	Screw, Tapping	949001-1570	6		D4, L=10
14	Motor Stay	LA484330-0500	1		
15	Stay, Control Panel Right	LA484331-6690	1		
16	Stay, Control Panel Left	GX484430-3160	1		
17	Switch Assy	GX484560-1842	1		Operation Panel & PCB w/ILL.NO.17-1
17-1	Cover Assy	GX484420-0470	1		Operation Panel

CLASSIC PLUS 14



CLASSIC PLUS 14

ILL. NO.	DESCRIPTION	PART NO.	QTY.	MODIFICATION DATE (mm/yy)	REMARKS
1	Box Sub-Assy	GX484520-1071	1		
2	Relay Board	GX484500-3580	1		w/ILL.NO.2-1
2-1	Fuse, Relay Board	LAY65765-0030	1	From 02/08	250mA, 250V
		LA481936-0080	1	To 01/08	160mA, 250V
3	Spacer	LA484921-0150	5		
4	Screw w/Washer	91370-03081	5		M3x0.5, L=8
5	Capacitor, Compressor	GX484507-1650	1		370VAC, 60μF
6	Holder	LA484927-1020	1		
7	Capacitor, Fan	LA484507-0890	1		370VAC, 7.5μF
8	Holder	LA484927-0880	1		
9	Screw	949006-3250	4		M4x0.7, L=10
10	Terminal Block	LA484503-040A	1		For Power
11	Screw	949006-3280	2		M4x0.7, L=18
12	Washer, Plate	90200-04331	2		
13	Cover Sub-Assy	GX484390-1090	1		
14	Terminal Block	GX484503-0840	1		For Input/Output Signal
15	Screw w/Washer	91310-03161	2		M3x0.5, L=16
16	Screw	949006-5850	4		M4x0.7, L=10
17	Screw	91051-04100	3		Ground (M4x0.7, L=10)
18	Washer, Plate	90201-04300	3		Ground
19	Grommet	LA484926-0490	1		
20	Grommet	LA484926-0500	3		
21	Grommet	484926-0290	1		
22	Wire Assy	LA484930-5222	1		Capacitor
23	Wire Assy	LA484930-523A	1		(TB)↔(RB)
24	Washer, Plate	90200-03211	5		
25	Wire Assy	GX484930-9121	1		Main Harness (RB)↔(CB)

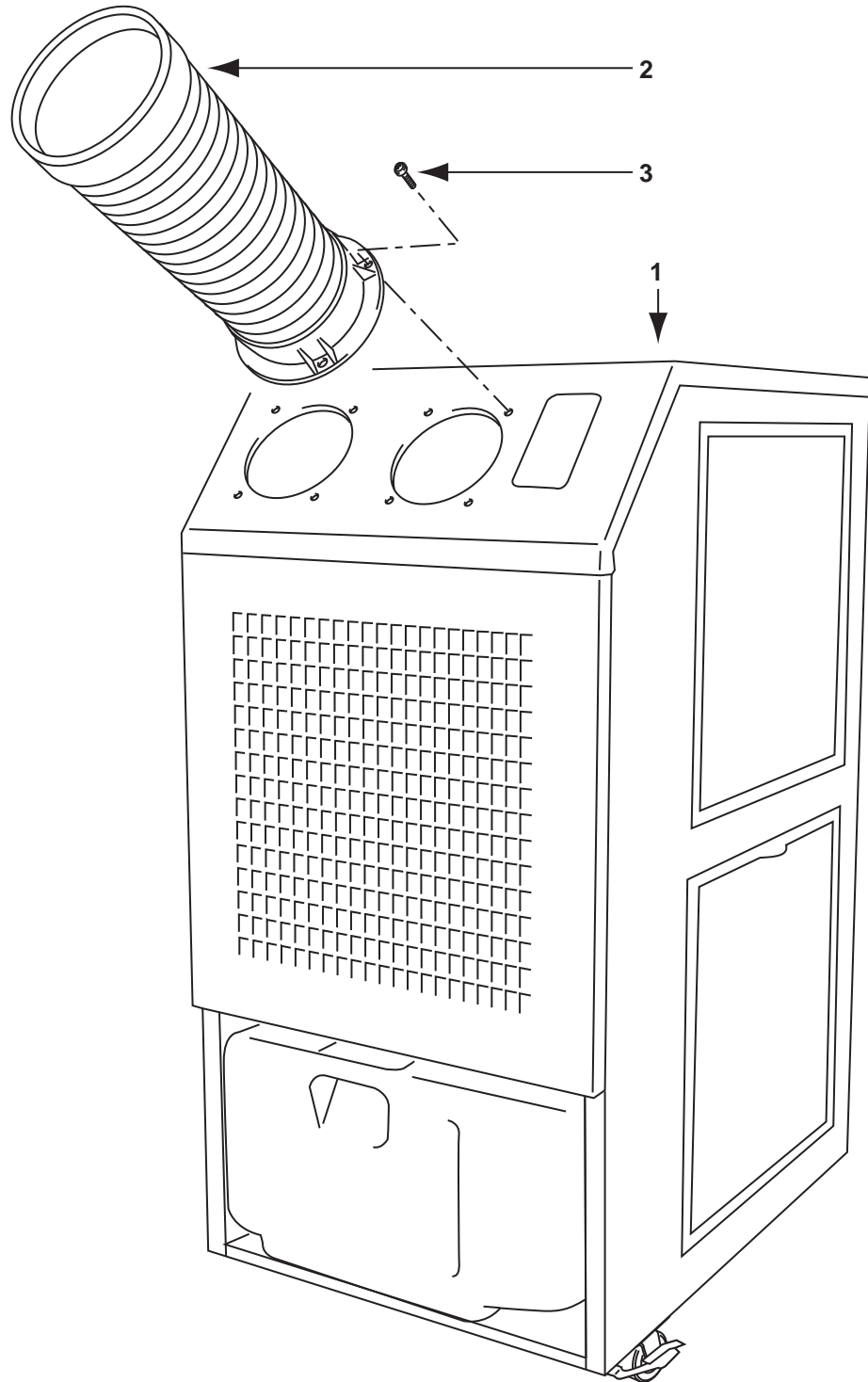
[Memo]

CLASSIC PLUS 14

Unit Part No: GX484000-3720

Production Period: From April 2007 (0407)
To December 2007 (1207)

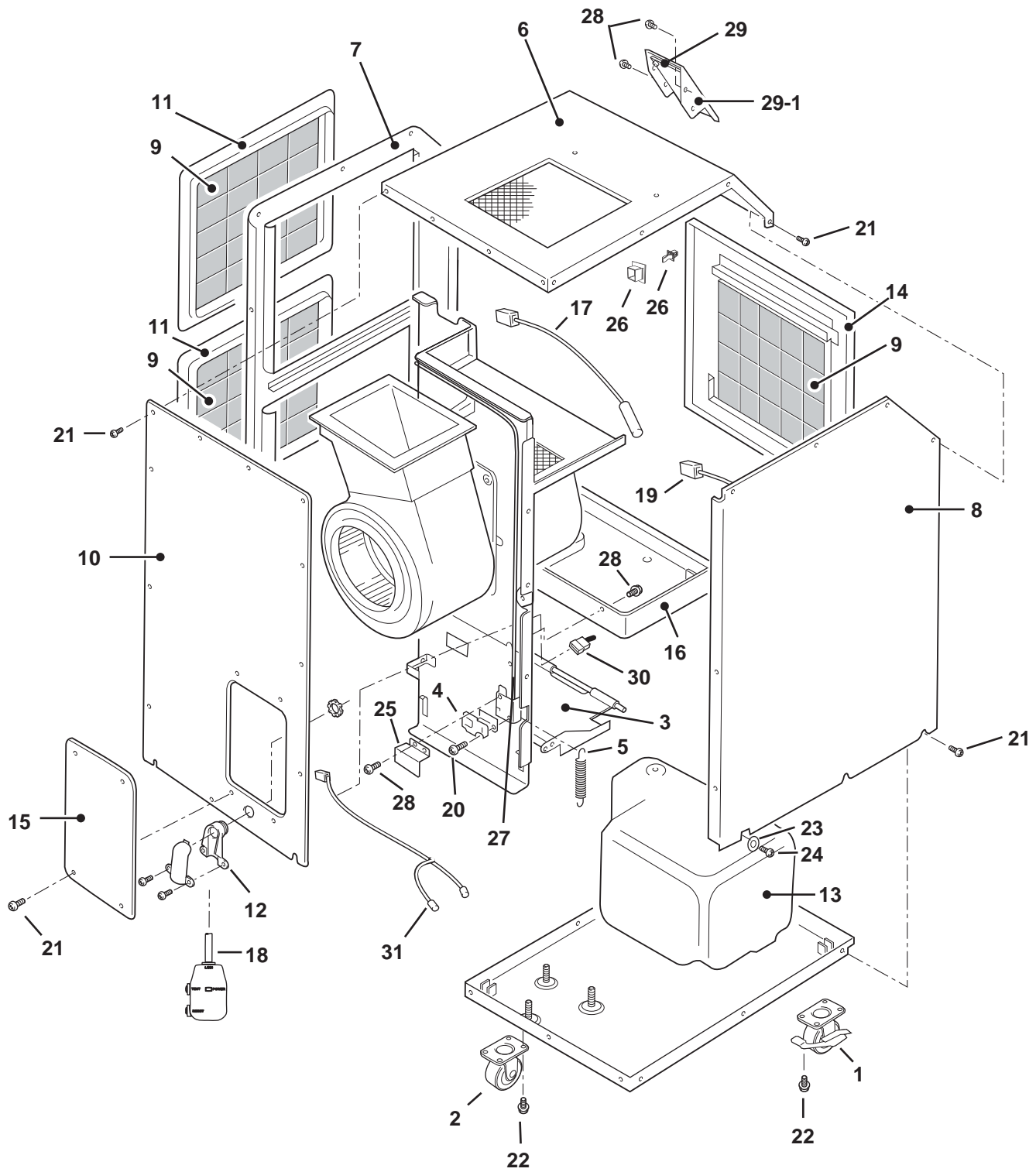
CLASSIC PLUS 14



CLASSIC PLUS 14

ILL. NO.	DESCRIPTION	PART NO.	QTY.	MODIFICATION DATE (mm/yy)	REMARKS
1	Unit Assy				
2	Duct Assy	LAY84209-0030	2		
3	Screw w/Washer	91370-06121	8		M6x1, L=12

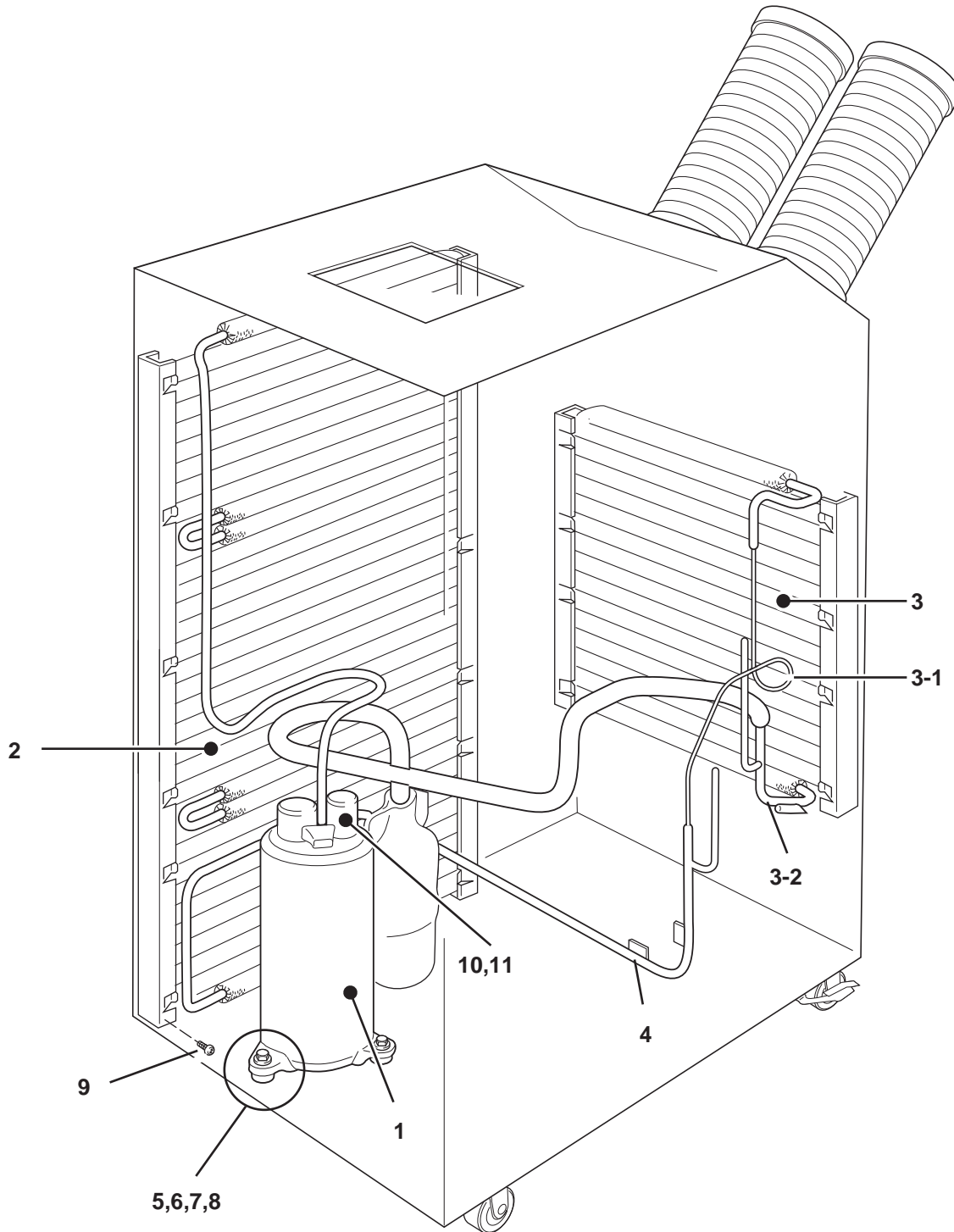
CLASSIC PLUS 14



CLASSIC PLUS 14

ILL. NO.	DESCRIPTION	PART NO.	QTY.	MODIFICATION DATE (mm/yy)	REMARKS
1	Caster w/Brake	LA484702-0330	2		
2	Caster	LA484702-0340	2		
3	Frame Sub-Assy	LA484310-3600	1		For Drain Tank
4	Switch, Drain Tank	LA484502-0380	1		
5	Spring, Tension Coil	949171-2090	2		
6	Panel Assy, Upper	GX484410-8030	1		
7	Panel Assy, Right	LA484410-7660	1		
8	Panel Assy, Left	LA484410-7670	1		
9	Element, Filter	LA484401-1100	3		
10	Panel Assy, Rear	LA484410-7691	1		
11	Frame Assy, Filter (Condenser)	LA484400-0310	2		w/ILL.NO.9
12	Connector (Retainer, Power Cord)	LA484506-0090	1		
13	Tank, Drain	484731-0021	1		
14	Panel Assy, Front	LA484410-7940	1		w/ILL.NO.9, 26
15	Panel Assy, Service	GX484410-8170	1		
16	Pan Assy, Drain	LA484430-0120	1		
17	Thermistor, Room Temperature	LAY84532-0021	1		
18	Wire Assy, Power Cord	LA484930-8650	1		LCDI
19	Thermistor, Anti-Freeze Up	LAY84532-0011	1		
20	Screw w/Washer	91310-03161	2		M3x0.5, L=16
21	Screw w/Washer	480919-0370	43		M4x0.7, L=10
22	Bolt w/Washer	91510-08141	8		M8x1.25, L=14
23	Washer, Plate	90201-06400	1		Ground
24	Screw	90051-06120	1		Ground (M6x1, L=12)
25	Cover	LA484391-1870	1		
26	Holder, Front Panel Clip	LA484009-0700	2		Male & Female Kit
27	Wire Assy	LA484930-6850	1		Main Harness (RB)↔(CB)
28	Screw	949006-5850	27		M4x0.7, L=10
29	Switch Assy	GX484560-1842	1		Operation Panel & PCB w/ILL.NO.29-1
29-1	Cover Assy	GX484420-0470	1		Operation Panel
30	Connector, Jumper	LA484930-8160	1		Drain Pump
31	Wire Assy, Drain Pump	LA484930-8330	1		Pump

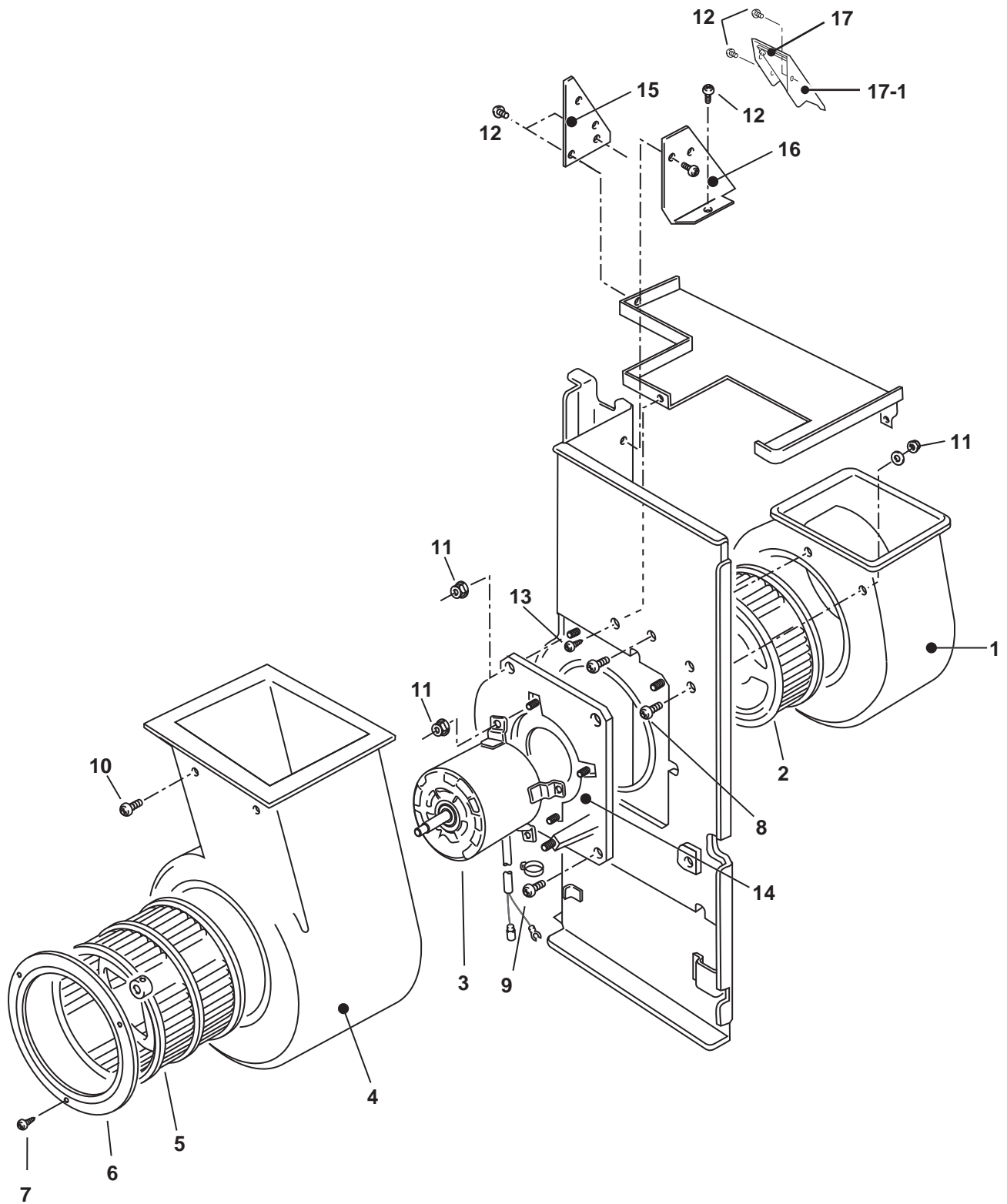
CLASSIC PLUS 14



CLASSIC PLUS 14

ILL. NO.	DESCRIPTION	PART NO.	QTY.	MODIFICATION DATE (mm/yy)	REMARKS
1	Compressor Assy	LA484650-1430	1		
2	Core Assy, Condenser	LA484600-1350	1		
3	Core Assy, Evaporator	LA484600-1360	1		w/ILL.NO.3-1~3-2
3-1	Pipe Assy, Capillary	LA484800-2930	1		
3-2	Pipe Assy, Evaporator Outlet	LA484800-2920	1		
4	Pipe Assy, Connecting	LA484800-2910	1		
5	Cushion	LA484904-0240	3		
6	Collar, Steel	LA484915-0320	3		
7	Washer, Steel Plate	949011-5330	3		
8	Nut	90190-08651	3		M8x1.25
9	Screw, Tapping	949001-1570	5		D4, L=10
10	Overload Relay	LA484501-0290	1		
11	Clip	LA484917-0360	1		

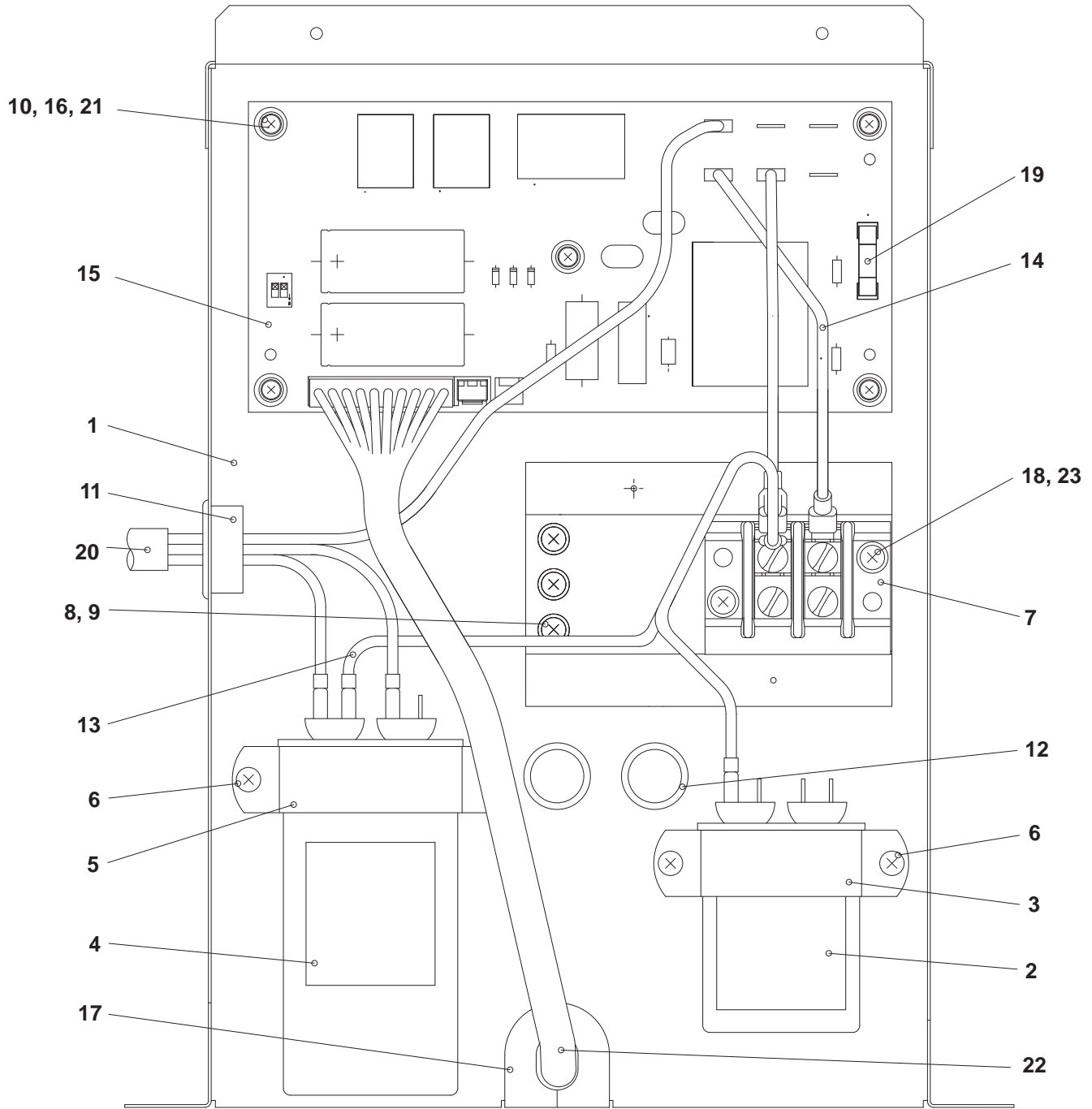
CLASSIC PLUS 14



CLASSIC PLUS 14

ILL. NO.	DESCRIPTION	PART NO.	QTY.	MODIFICATION DATE (mm/yy)	REMARKS
1	Casing, Evaporator Fan	LA484261-0260	1		
2	Fan, Evaporator	LA484221-0360	1		w/Set Screw
3	Fan Motor	LA484211-1343	1		
4	Casing Assy, Condenser Fan	LA484260-0310	1		
5	Fan, Condenser	LA484221-0370	1		w/Set Screw
6	Ring Sub-Assy	LA484280-0090	1		
7	Screw w/Washer	91370-04101	3		M4x0.7, L=10
8	Screw w/Washer	91370-06161	4		M6x1, L=16
9	Screw w/Washer	91370-06121	5		M6x1, L=12
10	Screw w/Washer	949007-3600	2		M4x0.7, L=10
11	Nut	949056-1430	8		M6x1
12	Screw	949006-5850	8		M4x0.7, L=10
13	Screw, Tapping	949001-1570	6		D4, L=10
14	Motor Stay	LA484330-0500	1		
15	Stay, Control Panel Right	LA484331-6690	1		
16	Stay, Control Panel Left	GX484430-3160	1		
17	Switch Assy	GX484560-1842	1		Operation Panel & PCB w/ILL.NO.17-1
17-1	Cover Assy	GX484420-0470	1		Operation Panel

CLASSIC PLUS 14



CLASSIC PLUS 14

ILL. NO.	DESCRIPTION	PART NO.	QTY.	MODIFICATION DATE (mm/yy)	REMARKS
1	Box Sub-Assy	LA484520-0740	1		
2	Capacitor, Fan	LA484507-0890	1		370VAC, 7.5μF
3	Holder	LA484927-0880	1		
4	Capacitor, Compressor	LA484507-0880	1		370VAC, 45μF
5	Holder	LA484927-0890	1		
6	Screw	949006-3250	4		M4x0.7, L=10
7	Terminal Block	LA484503-040A	1		For Power
8	Screw	91051-04100	3		Ground (M4x0.7, L=10)
9	Washer, Plate	90201-04300	3		Ground
10	Screw w/Washer	91370-03081	5		M3x0.5, L=8
11	Grommet	LA484926-0490	1		
12	Grommet	LA484926-0500	2		
13	Wire Assy	LA484930-5222	1		Capacitor
14	Wire Assy	LA484930-523A	1		(TB)↔(RB)
15	Relay Board	GX484500-3580	1		
16	Spacer	LA484921-0150	5		
17	Grommet	484926-0290	1		
18	Washer, Plate	90200-04331	2		
19	Fuse, Relay Board	LA481936-0080	1	From 09/07	160mA, 250V
		LAY65765-0030	1	To 08/07	250mA, 250V
20	Wire Assy	LA484930-5210	1		Compressor
21	Washer, Plate	90200-03211	5		
22	Wire Assy	LA484930-6850	1		Main Harness (RB)↔(CB)
23	Screw	949006-3280	2		M4x0.7, L=18

[Memo]

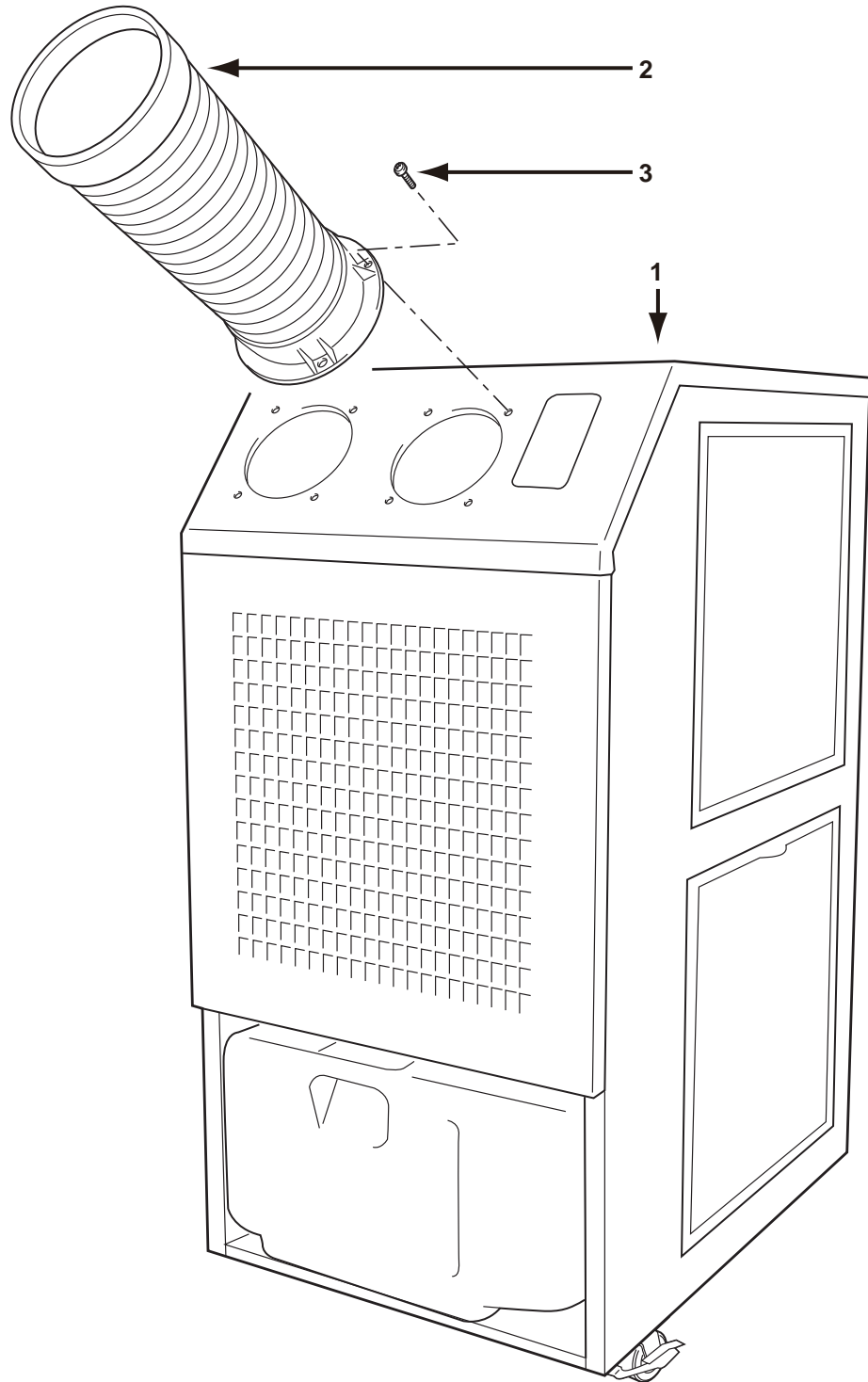
CLASSIC PLUS 14

Unit Part No: LA484000-3420

LA484000-2191

Production Period: From February 1998 (0298)
To March 2007 (0307)

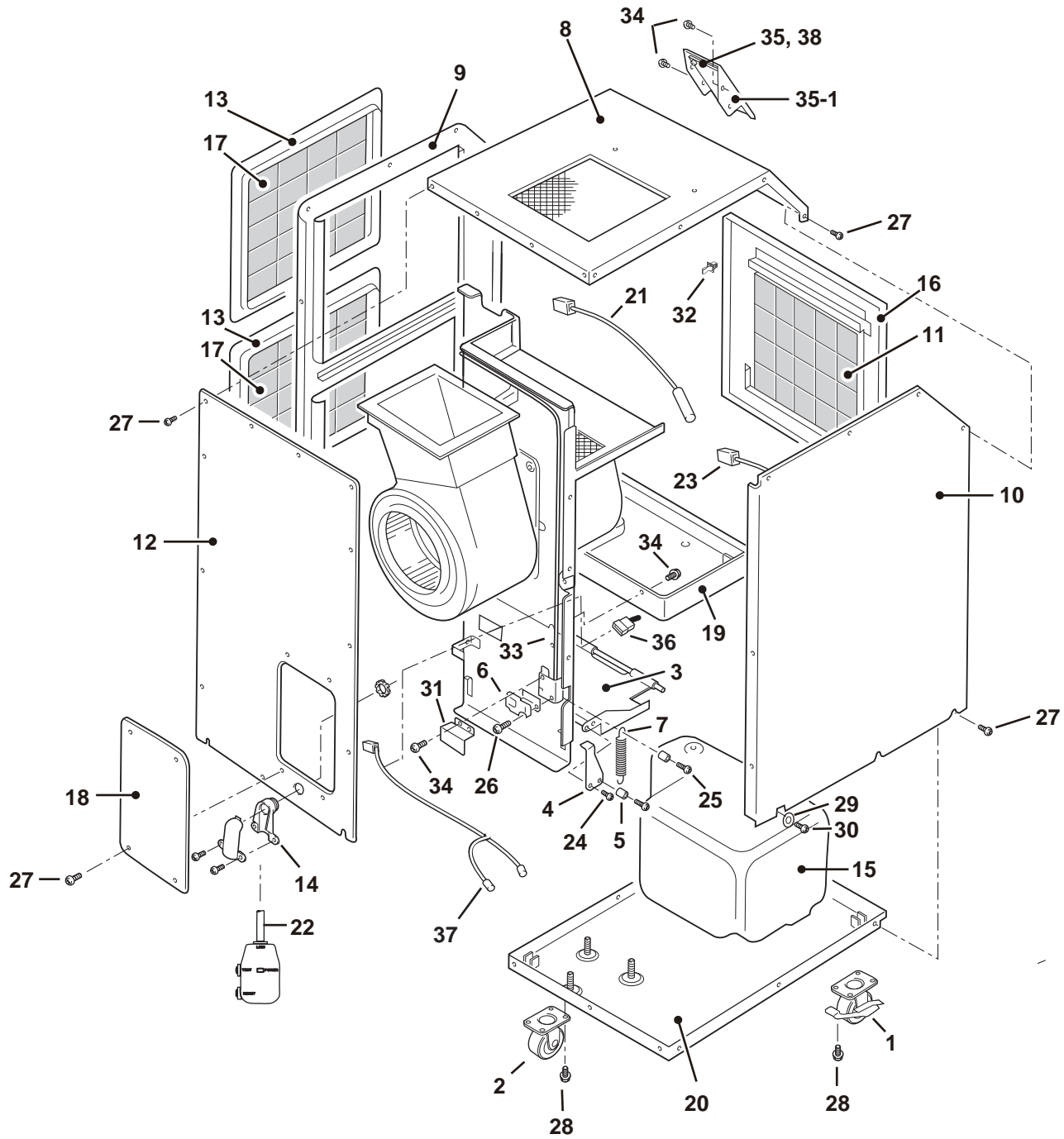
CLASSIC PLUS 14



CLASSIC PLUS 14

ILL. NO.	DESCRIPTION	PART NO.	QTY.	MODIFICATION DATE (mm/yy)	REMARKS
1	Unit Assy				
2	Duct Assy	LAY84209-0030	2		
3	Screw w/Washer	91370-06121	8		M6x1, L=12

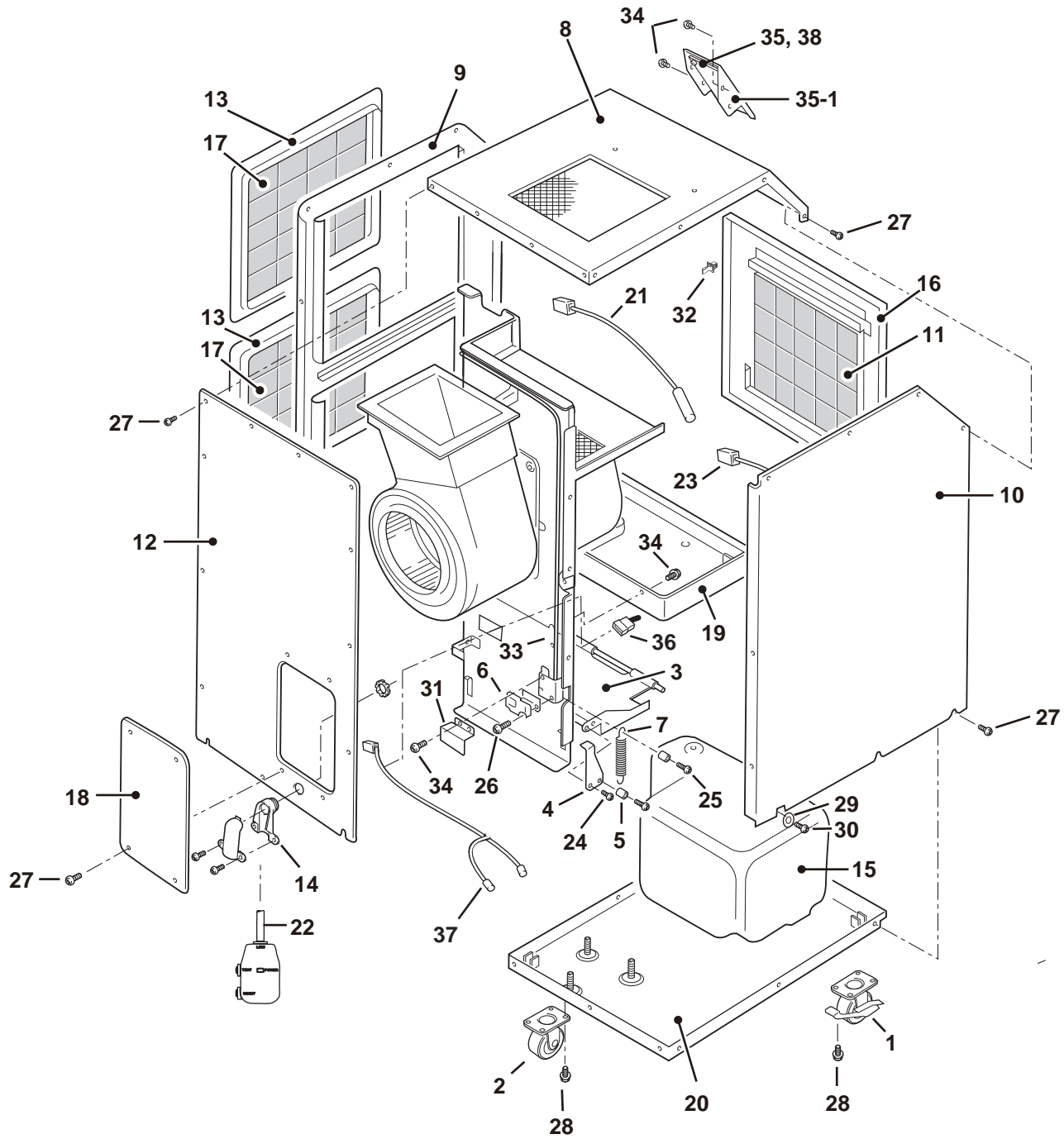
CLASSIC PLUS 14



CLASSIC PLUS 14

ILL. NO.	DESCRIPTION	PART NO.	QTY.	MODIFICATION DATE (mm/yy)	REMARKS
1	Caster w/Brake	LA484702-0330	2		
2	Caster	LA484702-0340	2		
3	Frame Sub-Assy (Drain Tank)	LA484310-3600	1	From 01/03	
		LAY84310-0010	1	To 12/02	
4	Bracket	LA484321-0510	1	To 12/02	
5	Socket	480837-0030	4	To 12/02	
6	Switch Assy, Drain Tank	LA484502-0380	1		
7	Spring, Tension Coil	949171-2090	2		
8	Panel, Upper	LA484410-7650	1	From 05/05	
		LA484410-5090	1	To 04/05	
9	Panel, Right	LA484410-7670	1	From 05/05	
		LA484410-5100	1	To 04/05	
10	Panel, Left	LA484410-7660	1	From 05/05	
		LA484410-5110	1	To 04/05	
11	Element, Filter (Evaporator)	LA484401-1100	1		
12	Panel, Rear	LA484410-7691	1	From 05/05	
		LA484410-5120	1	To 04/05	
13	Frame Assy, Filter (Condenser)	LA484400-0310	2		
14	Retainer, Power Cord	LA484506-0090	1		
15	Tank, Drain	484731-0021	1		
16	Panel, Front	LA484410-7940	1	From 05/05	
		LA484410-3920	1	To 04/05	
17	Element, Filter (Condenser)	LA484401-1100	2		
18	Panel, Service	LA484410-7620	1		
		LA484410-5130	1		
19	Drain Pan Assy	LA484430-0120	1		
20	Frame Sub-Assy (Base)	LA484310-4850	1		
		LA484310-299A	1		
21	Thermistor, Room Temp	LAY84532-0021	1	From 12/00	
		LA484532-002B	1	To 11/00	
22	Power Cord Assy	LA484930-8650	1		
23	Thermistor, Anti-Freeze Up	LAY84532-0011	1	From 12/00	
		LA484532-0030	1	To 11/00	
24	Screw w/Washer	91370-04101	3		M4x0.7, L=10
25	Screw	91060-04161	4		M4x0.7, L=16
26	Screw w/Washer	91310-03161	2		M3x0.5, L=16
27	Screw w/Washer	480919-0370	43		M4x0.7, L=10
28	Bolt w/Washer	91510-08141	8		M8x1.25, L=14
29	Washer, Plate	90201-06400	1		Ground
30	Screw	90051-06120	1		Ground (M6x1, L=12)
31	Cover, Drain Switch	LA484391-1870	1	From 01/03	
		LA484391-056A	1	To 12/02	
32	Clip, Front Panel	484923-0070	2		

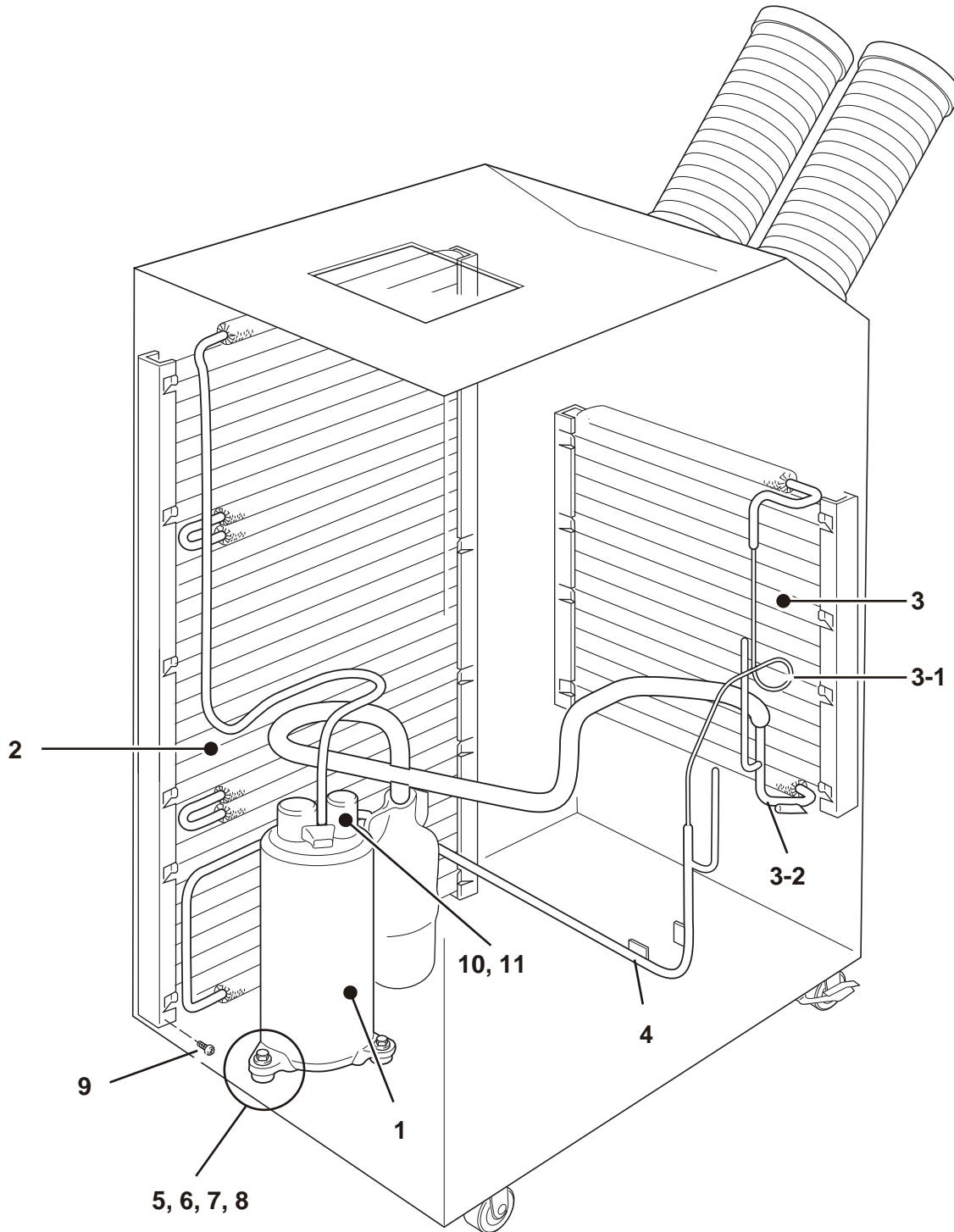
CLASSIC PLUS 14



CLASSIC PLUS 14

ILL. NO.	DESCRIPTION	PART NO.	QTY.	MODIFICATION DATE (mm/yy)	REMARKS
33	Wire Harness	LA484930-6850	1	From 12/00	(RB)↔(CB)
		LA484930-5241	1	To 11/00	(RB)↔(CB)
34	Screw	949006-5850	22		M4x0.7, L=10
35	Switch Assy	LA484560-1531	1	From 12/00	Operation Panel & PCB w/ILL.NO.35-1
35-1	Cover Assy	LA484420-0280	1		Operation Panel
36	Connector, Jumper	LA484930-8160	1	From 07/05	For LA484000-3420 Unit
37	Wire Assy, Drain Pump	LA484930-8330	1	From 07/05	For LA484000-3420 Unit
38	Controller Assy	LA484500-2720	1	To 11/00	PCB Only

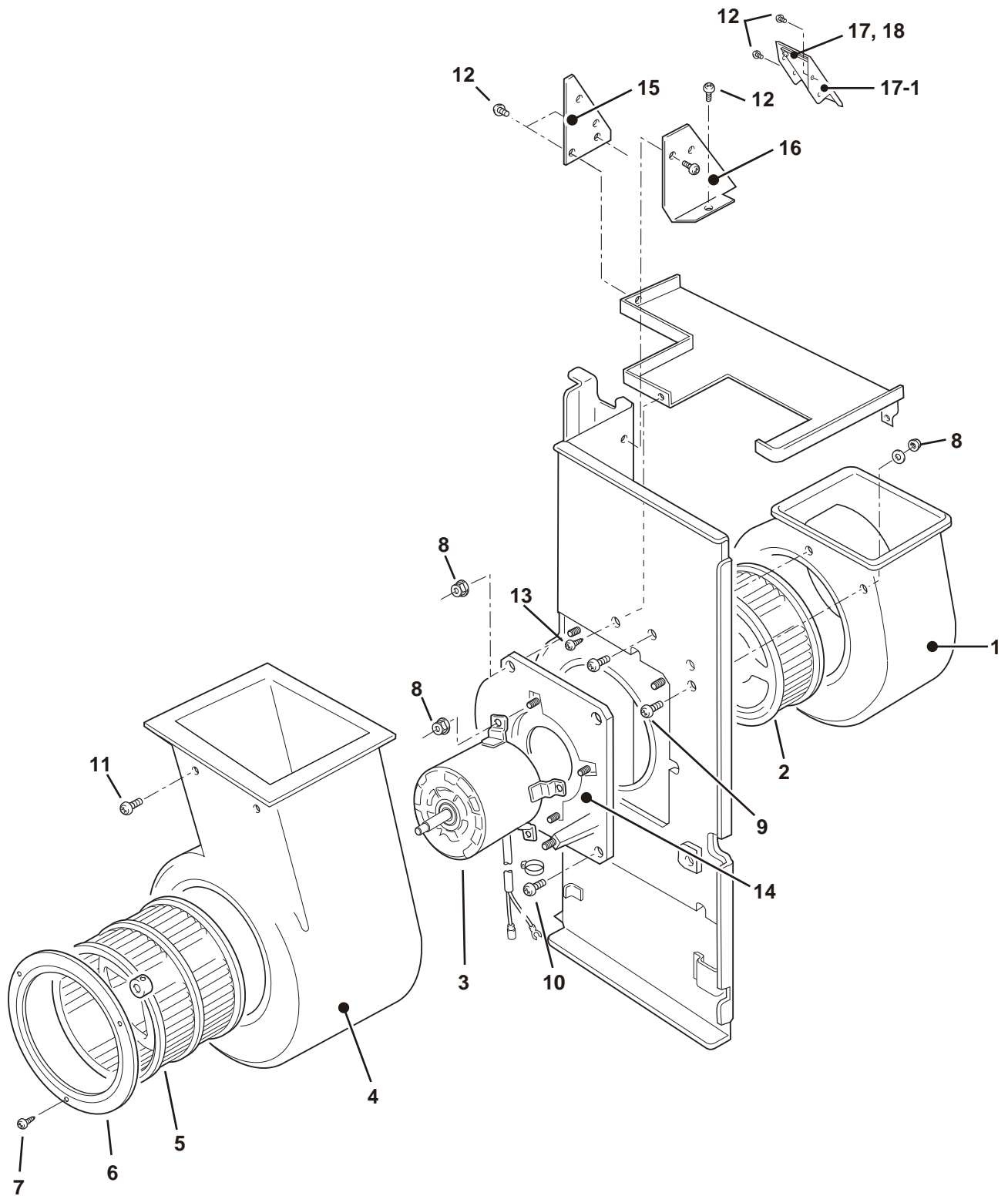
CLASSIC PLUS 14



CLASSIC PLUS 14

ILL. NO.	DESCRIPTION	PART NO.	QTY.	MODIFICATION DATE (mm/yy)	REMARKS
1	Compressor Assy	LA484650-1430	1		
2	Core Assy, Condenser	LA484600-1350	1		
3	Core Assy, Evaporator	LA484600-1360	1		w/ILL.NO.3-1~ 3-2
3-1	Pipe Assy, Capillary	LA484800-2930	1		
3-2	Pipe Assy, Evaporator Outlet	LA484800-2920	1		
4	Pipe Assy, Connecting	LA484800-2910	1		
5	Cushion	LA484904-0240	3		
6	Collar, Steel	LA484915-0320	3		
7	Washer, Steel Plate	949011-5330	3		
8	Nut	90190-08651	3		M8x1.25
9	Screw, Tapping	949001-1570	5		D4, L=10
10	Overload Relay	LA484501-0290	1		
11	Clip	LA484917-0360	1		

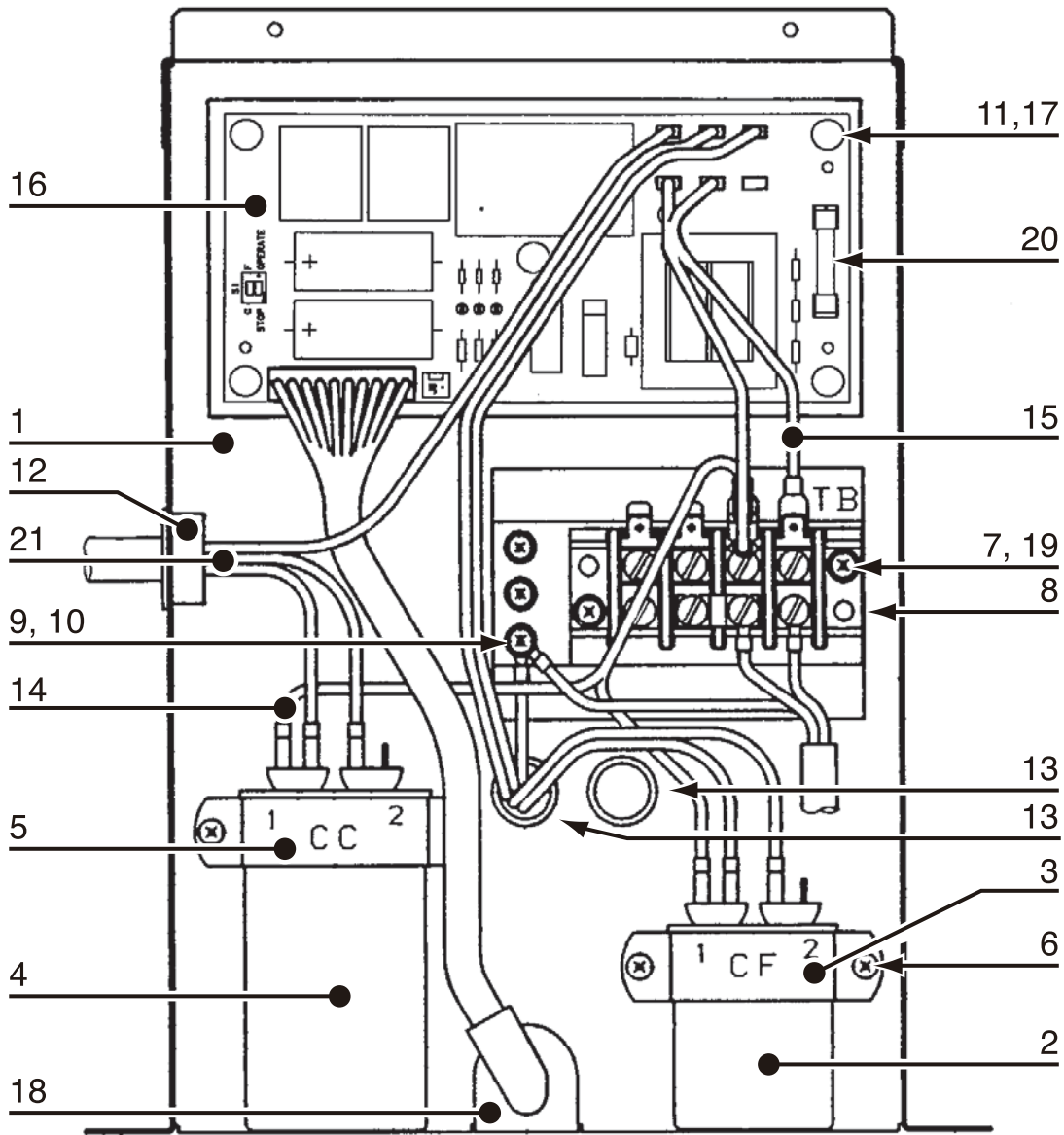
CLASSIC PLUS 14



CLASSIC PLUS 14

ILL. NO.	DESCRIPTION	PART NO.	QTY.	MODIFICATION DATE (mm/'yy)	REMARKS
1	Casing, Evaporator Fan	LA484261-0260	1		
2	Fan, Evaporator	LA484221-0360	1		w/Set Screw
3	Fan Motor	LA484211-1343	1		
4	Casing Assy, Condenser Fan	LA484260-0310	1		
5	Fan, Condenser	LA484221-0370	1		w/Set Screw
6	Ring Sub-Assy	LA484280-0090	1		
7	Screw w/Washer	91370-04101	3		M4x0.7, L=10
8	Nut	949056-1430	8		M6x1
9	Screw w/Washer	91370-06161	4		M6x1, L=16
10	Screw w/Washer	91370-06121	5		M6x1, L=12
11	Screw w/Washer	949007-3600	2		M4x0.7, L=14
12	Screw	949006-5850	8		M4x0.7, L=10
13	Screw, Tapping	949001-1570	6		D4, L=10
14	Motor Stay	LA484330-0500	1		
15	Stay, Control Panel Right	LA484331-6690	1		
16	Stay, Control Panel Left	GX484430-3160	1		
17	Switch Assy	LA484560-1531	1	From 12/'00	Operation Panel & PCB w/ILL.NO.17-1
17-1	Cover Assy	LA484420-0280	1		Operation Panel
18	Controller Assy	LA484500-2720	1	To 11/'00	PCB Only

CLASSIC PLUS 14



CLASSIC PLUS 14

ILL. NO.	DESCRIPTION	PART NO.	QTY.	MODIFICATION DATE (mm/yy)	REMARKS
1	Box Sub-Assy, Control	LA484520-0740	1	From 04/99	
		LA484520-0720	1	To 03/99	
2	Capacitor, Fan	LA484507-0890	1		370VAC, 7.5μF
3	Holder	LA484927-0880	1		
4	Capacitor, Compressor	LA484507-0880	1		370VAC, 45μF
5	Holder	LA484927-0890	1		
6	Screw	949006-3250	4		M4x0.7, L=10
7	Screw	949006-3280	2		M4x0.7, L=18
8	Terminal Block	LA484503-040A	1		(TB)
9	Screw	91051-04100	3		M4x0.7, L=10
10	Washer, Plate	90201-04300	3		
11	Screw w/Washer	91370-03081	5		M3x0.5, L=8
12	Grommet	LA484926-0490	1		
13	Grommet	LA484926-0500	2		
14	Wire Assy	LA484930-5222	1		Capacitor
15	Wire Assy	LA484930-523A	1		(TB)↔(RB)
16	Relay Board Assy	GX484500-3580	1	From 12/00	115V
		LA484500-2690	1	To 11/00	115V
17	Spacer	LA484921-0150	5		
18	Grommet	484926-0290	1		
19	Washer, Plate	90200-04331	2		
20	Fuse, Relay Board	LA481936-0080	1	From 01/03	160mA, 250V
		LAY65765-0010	1	To 12/02	2/10A, 250V
21	Wire Harness Assy	LA484930-5210	1		

DENSO

DENSO SALES CALIFORNIA, INC.

Long Beach, CA 90810

www.movincool.com

First Issue: June 2008