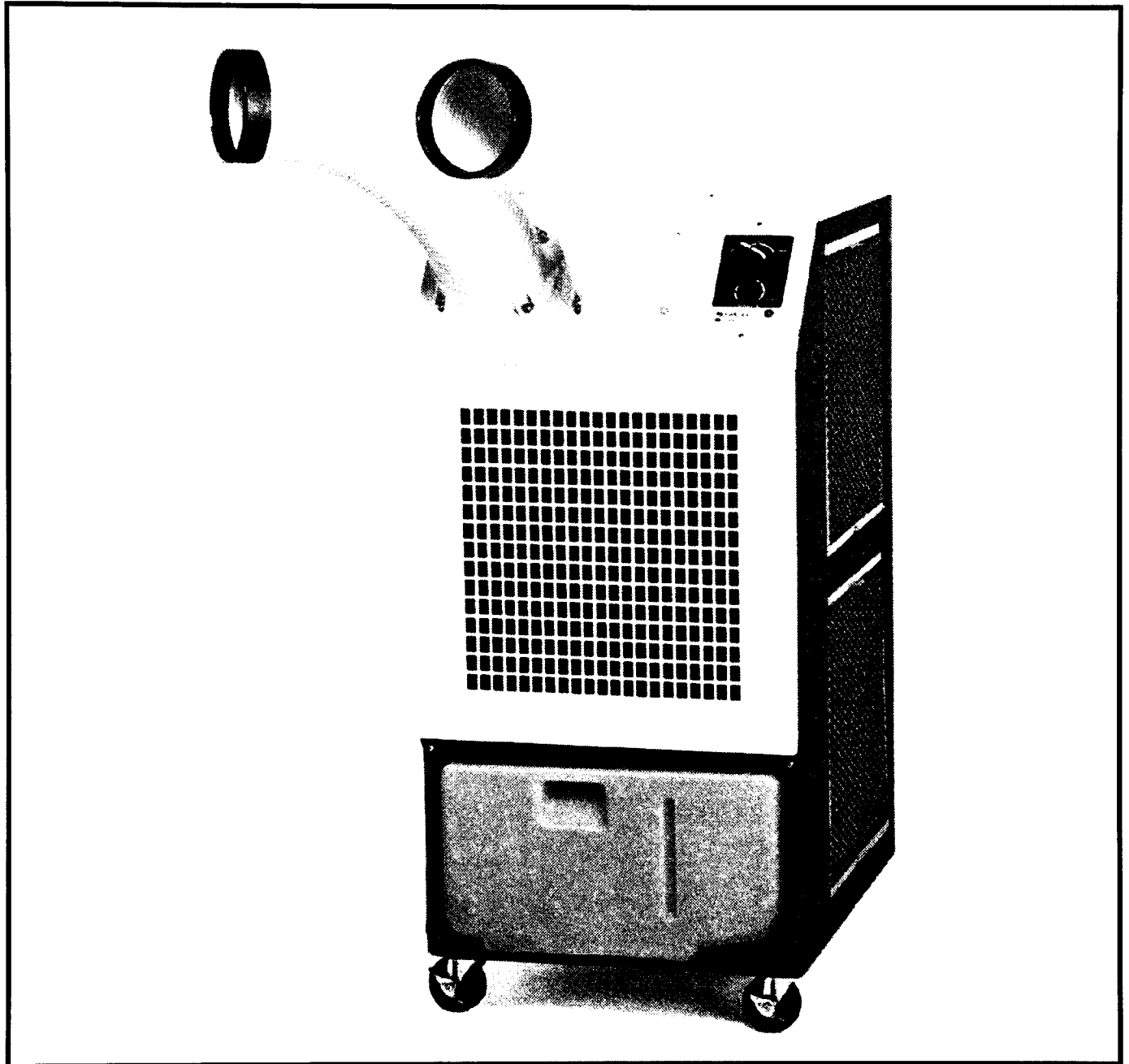


SPARE PARTS **CATALOG**

CLASSIC 18 (15SFU-1)



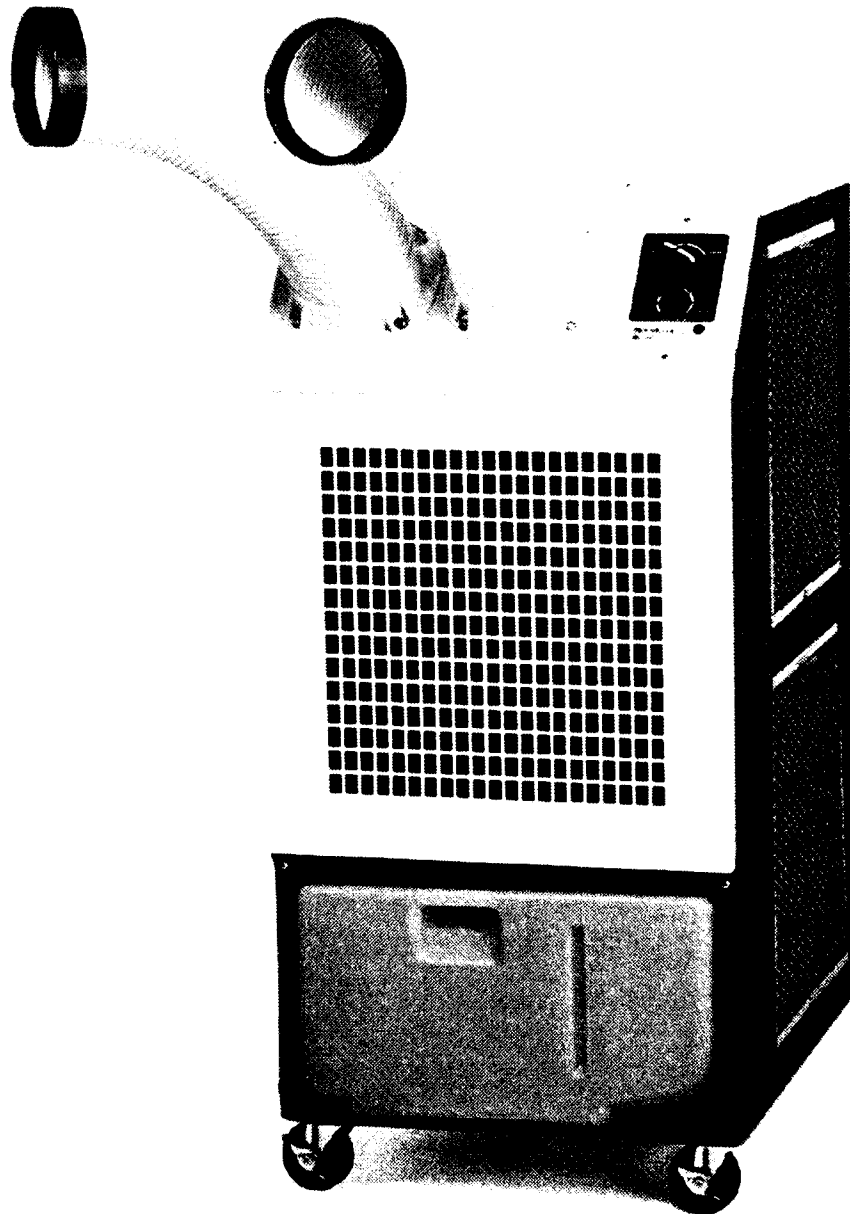
MOVINCOOL®
Pioneering New Solutions With Portable Air-Conditioning

© 1999 DENSO SALES CALIFORNIA, INC.

All rights reserved. This book may not be reproduced or copied, in whole or in part, without the written permission of the publisher. DENSO SALES CALIFORNIA, INC. reserves the right to make changes without prior notice. MovinCool is a registered trademark of DENSO SALES CALIFORNIA, INC.

CLASSIC 18

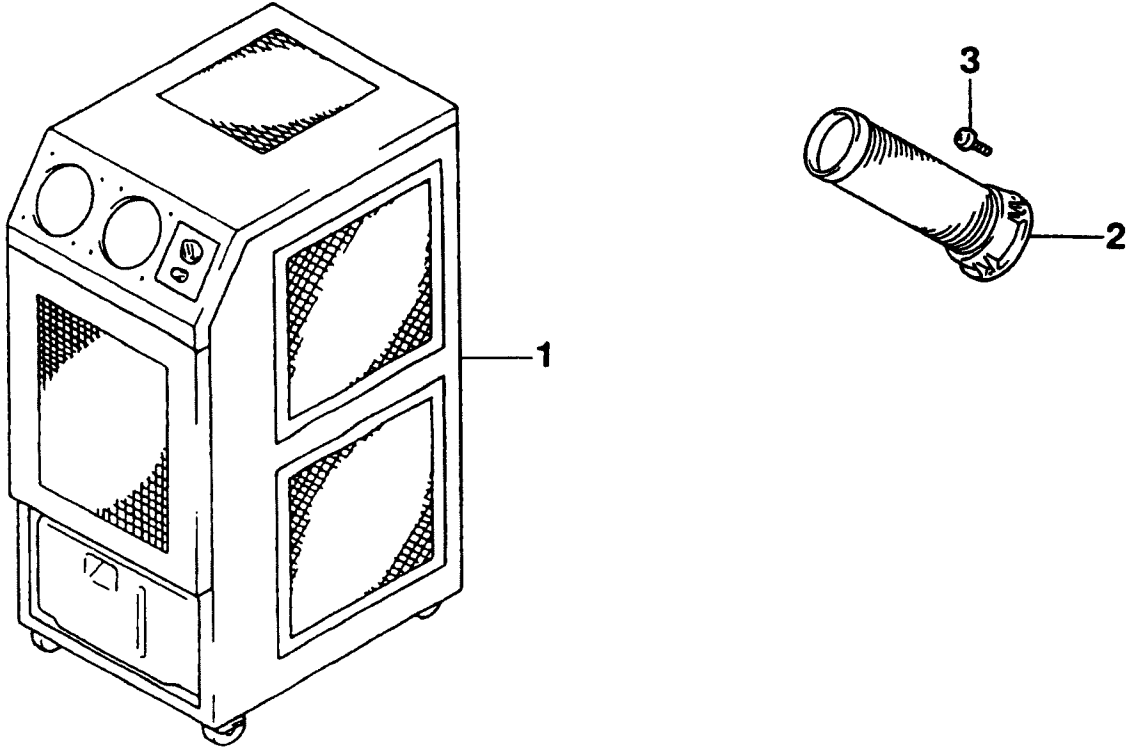
(15SFU-1)



This spare parts catalog consists of simple illustrations with part numbers called out for all available parts to this product. Some part numbers described are available by assembly only.

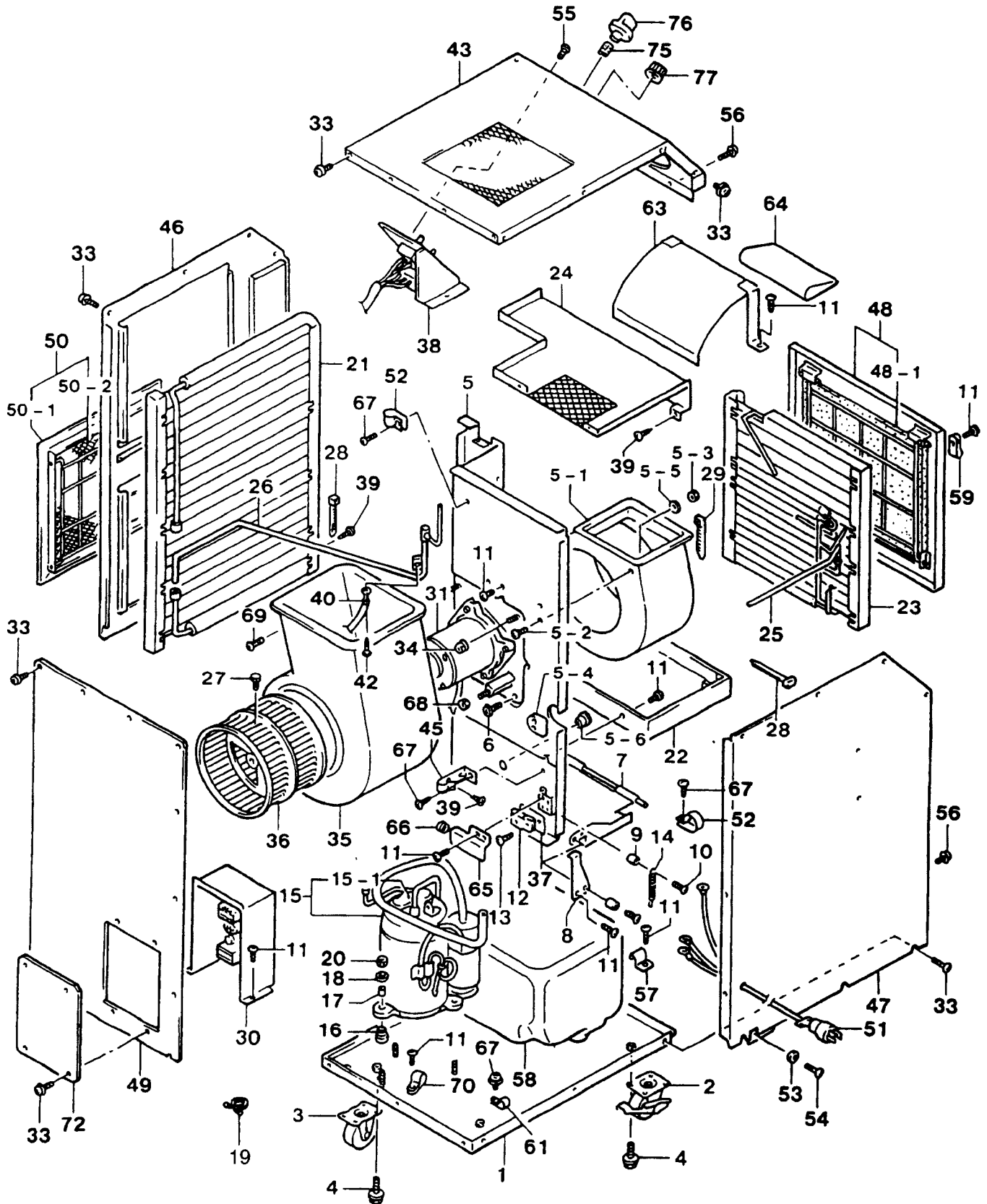
CLASSIC 18 (15SFU-1)

CLASSIC 18 (15SFU-1)



ILL. NO.	NUMBER	DESCRIPTION	QTY	MODIFICATION DATE	REMARKS
1	CLASSIC 18	SPOT COOLER ASSY UNIT ASSY	1 1		230V SEE PAGE 4
2	484350-0110	DUCT ASSY, COOL AIR	2		
3	91370-06121	SCREW, W/WASHER	8		M6, L12

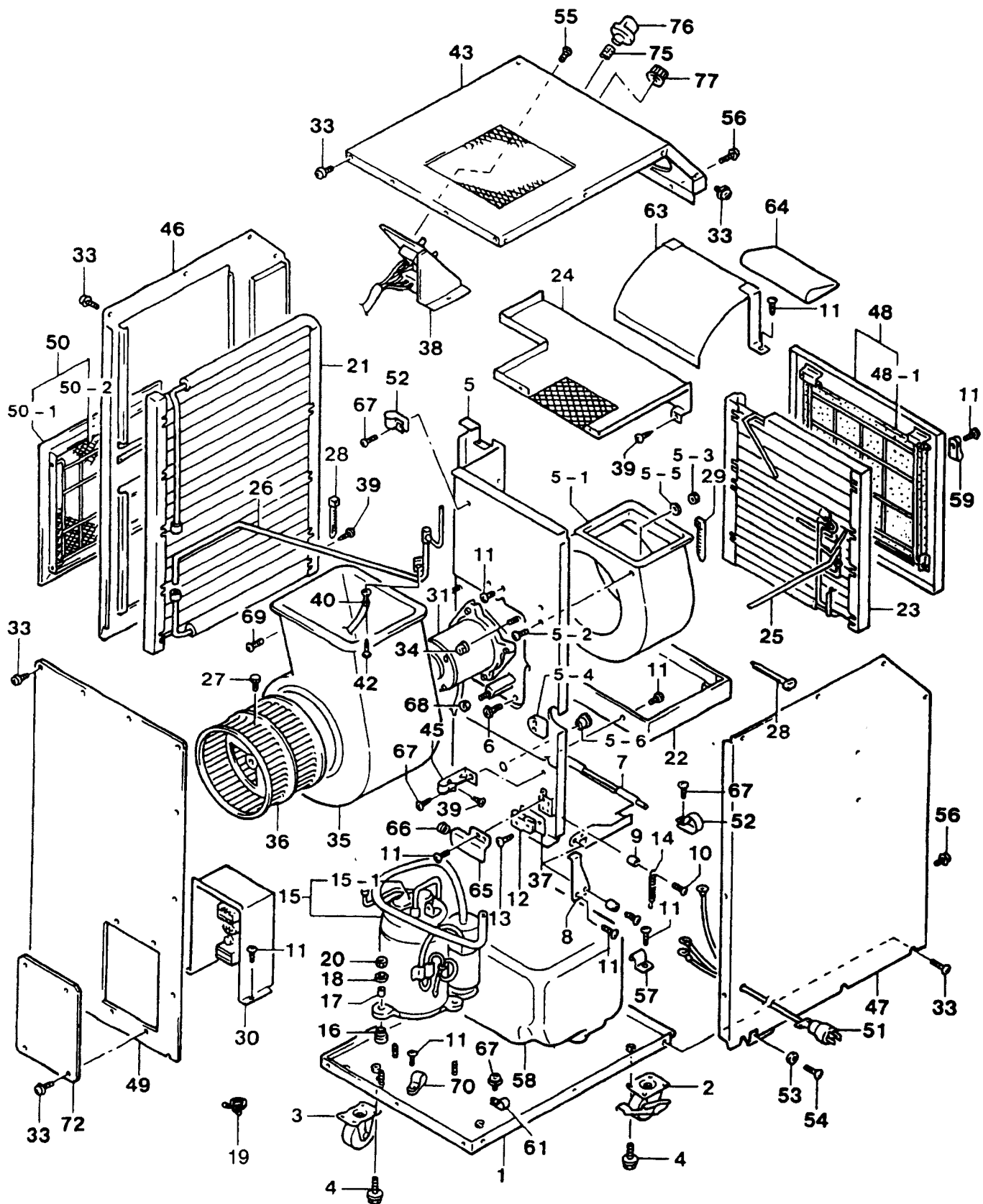
CLASSIC 18 (15SFU-1)



UNIT ASSY

ILL. NO.	NUMBER	DESCRIPTION	QTY	MODIFICATION DATE	REMARKS
	484100-0541	UNIT ASSY	1		
1	484310-0601	FRAME SUB-ASSY, BASE	1		
2	484702-0150	CASTER, PIVOTING	2		W/ BRAKE
	484702-0240	CASTER, PIVOTING	2	'97.7~	W/ BRAKE
3	484702-0160	CASTER, FIXED	2		
	484702-0250	CASTER, FIXED	2	'97.7~	
4	91510-08141	BOLT, W/WASHER	8		M8, L14
5	484300-0530	FRAME ASSY, MIDDLE	1		
5-1	484261-0010	BLOWER HOUSING	1		EVAPORATOR FAN
5-2	91370-06161	SCREW, W/WASHER	4		M6, L16
5-3	90160-06051	NUT, HEXAGON	4		M6
5-4	484926-0120	GROMMET	1		
5-5	90200-06711	WASHER, PLATE	4		T 2.0
5-6	949321-3000	GROMMET	1		
6	91370-06121	SCREW, W/WASHER	5		M6, L12
7	484310-0541	FRAME SUB-ASSY	1	~'98.2	DRAIN TANK
	484310-2910	FRAME SUB-ASSY	1	'98.3~	REFER TO NOTE NO.1
8	484321-0510	BRACKET	1		
9	480837-0030	SOCKET	4		
10	91060-04161	SCREW, FLAT HEAD	4		M4, L16
11	91370-04101	SCREW, W/WASHER	23		M4, L10
12	484502-0110	SWITCH, FULL DRAIN TANK	1		
13	91310-03161	SCREW, W/WASHER	2		M3,L16
14	949171-2090	SPRING, TENSION COIL	2		
15	484650-0331	COMPRESSOR ASSY	1		
15-1	484391-0820	COVER	1		
16	484904-0150	CUSHION	3		COMP. MOUNTING
17	949192-5550	COLLAR, STEEL	3		ID10.2 COMP. MOUNTING
18	949011-5330	WASHER, STEEL PLATE	3		COMP. MOUNTING
19	084892-0490	CLAMP	1		
20	90190-08651	NUT, HEXAGON	3		M8 COMP. MOUNTING
21	484600-0320	CORE ASSY, CONDENSER	1		
22	484430-0120	PAN ASSY, DRAIN	1		
23	484600-0300	CORE ASSY, EVAPORATOR	1		
24	484340-1431	STAY SUB-ASSY	1		
25	484800-0920	PIPE ASSY	1		
26	484800-1800	PIPE ASSY	1		
27	949040-6150	BOLT, HEXAGON	1		M8, L18.5
28	481951-0020	CLIP	5		L185
29	480841-0010	CLIP	3		L100
30	484500-0520	CONTROL BOX ASSY	1	~ '94.4	SEE PAGE 11
	484500-1380	CONTROL BOX ASSY	1	'94.4~	SEE PAGE 12
31	484200-0310	BLOWER ASSY	1		SEE PAGE 10

CLASSIC 18 (15SFU-1)



UNIT ASSY (CONT'D)

ILL. NO.	NUMBER	DESCRIPTION	QTY	MODIFICATION DATE	REMARKS
33	949007-6700	SCREW, W/WASHER	39		M6
34	92150-06061	NUT, FLANGE	2		CONDENSER FAN
35	484261-0070	BLOWER HOUSING	1		
36	484221-0122	FAN, CONDENSER	1	~'98.3	REFER TO NOTE NO.2
	484221-0350	FAN, CONDENSER	1	'98.4~	DRAIN TANK SWITCH
37	484311-0870	PLATE, INSULATION	1		SEE PAGE 13
38	484560-0321	SWITCH ASSY, CONTROL	1		D4, L10
39	949001-1570	SCREW, TAPPING	6		
40	484930-0771	WIRE ASSY	1		M4, L10
42	91051-04100	SCREW	2		TOP
43	484410-1271	PANEL ASSY, UPPER	1		
45	484927-0151	HOLDER	1		CONDENSER
46	484410-1460	PANEL ASSY, RIGHT	1		
47	484410-3510	PANEL ASSY, LEFT	1		EVAPORATOR
48	484410-1400	PANEL ASSY, FRONT	1	~'91.7	EVAPORATOR
	484410-2590	PANEL ASSY, FRONT	1	'91.7~	
48-1	484401-0661	FILTER, EVAPORATOR	1		
49	484410-3520	PANEL ASSY, REAR	1		
50	484400-0060	FILTER ASSY, RIGHT PANEL	1	~'91.7	INCLUDES 50-1, 50-2
	484400-0190	FILTER ASSY, RIGHT PANEL	2	'91.7~	
50-1	484300-0260	FRAME ASSY, FILTER	2		
50-2	484401-0661	FILTER, CONDENSER	2		POWER CORD
51	484930-0800	WIRE ASSY	1		
52	473459-0090	CLAMP	3		
53	90201-06400	WASHER, PLATE	1		M6, L12
54	90051-06120	SCREW	1		
55	91060-04101	SCREW, FLAT HEAD	2		
56	949008-0850	SCREW, TAPPING, W/WASHER	4		
57	484927-0970	HOLDER	1		
58	484731-0021	TANK ASSY, DRAIN	1		
59	472818-0030	CLIP, CORD	2		
61	481902-0030	CLAMP	2		
63	484340-0920	STAY SUB-ASSY	1		
64	484901-2390	PACKING	1		
65	484391-0560	COVER, DRAIN TANK SWITCH	1		
66	949321-3000	GROMMET	1		M4, L14
67	91370-04141	SCREW, W/WASHER	5		M6, W/WASHER
68	949056-1430	NUT	2		M4, L14
69	949007-3600	SCREW, W/WASHER	2		D15.2
70	949350-3030	CLIP, CORD	1		CONTROL BOX
72	484470-1450	PANEL, SERVICE	1		
75	484917-0131	CLIP, CONTROL SWITCH KNOB	1		
76	484923-0150	KNOB, CONTROL SWITCH	1		

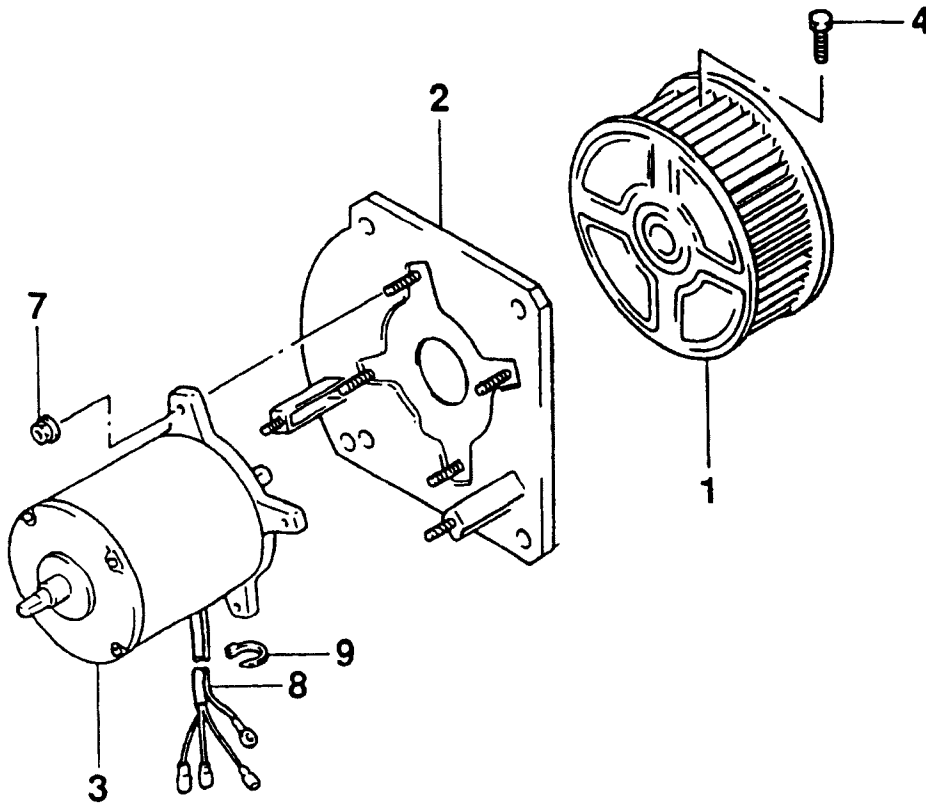
UNIT ASSY (CONT'D)

ILL. NO.	NUMBER	DESCRIPTION	QTY	MODIFICATION DATE	REMARKS
77	484923-0060	KNOB, ROOM THERMOSTAT	1		
100	484923-0180	KNOB	1		

NOTE NO.1 : INTERCHANGEABILITY BETWEEN OLD P/N AND NEW P/N.

NO.2 : INTERCHANGEABILITY FROM OLD P/N TO NEW P/N.

CLASSIC 18 (15SFU-1)

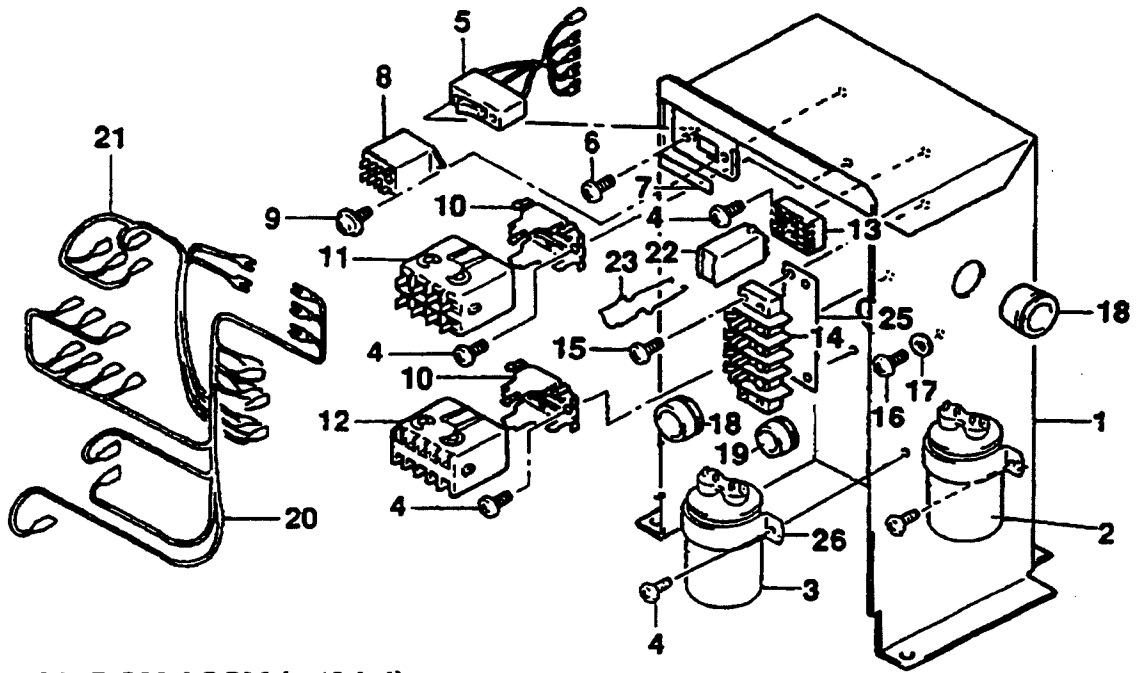


BLOWER ASSY

ILL. NO.	NUMBER	DESCRIPTION	QTY	MODIFICATION DATE	REMARKS
	484200-0310	BLOWER ASSY	1		CLASSIC 18
1	484221-0112	FAN, EVAPORATOR	1	~'98.3	
	484221-0290	FAN, EVAPORATOR	1	'98.4~	REFER TO NOTE NO.2
2	484330-0340	STAY ASSY	1		
3	484211-0442	MOTOR, FAN	1	~'98.3	
	484211-1280	MOTOR, FAN	1	'98.4~	REFER TO NOTE NO.3
4	949040-6150	BOLT, HEXAGON	1		M8, L18.5
7	92150-06061	NUT, FLANGE	4		M6
8	484930-0760	WIRE ASSY	1		
9	480841-0010	CLIP	2		L100

NOTE NO.2 : INTERCHANGEABILITY FROM OLD P/N TO NEW P/N.
 NO.3 : INTERCHANGEABILITY FROM NEW P/N TO OLD P/N.

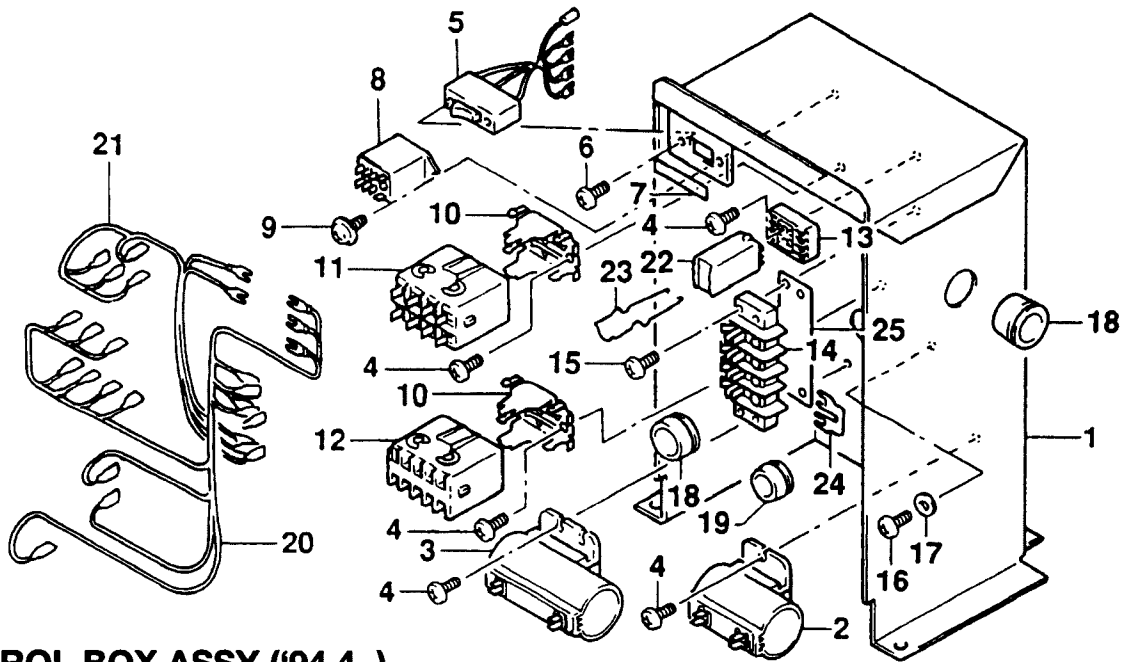
CLASSIC 18 (15SFU-1)



CONTROL BOX ASSY (~ '94.4)

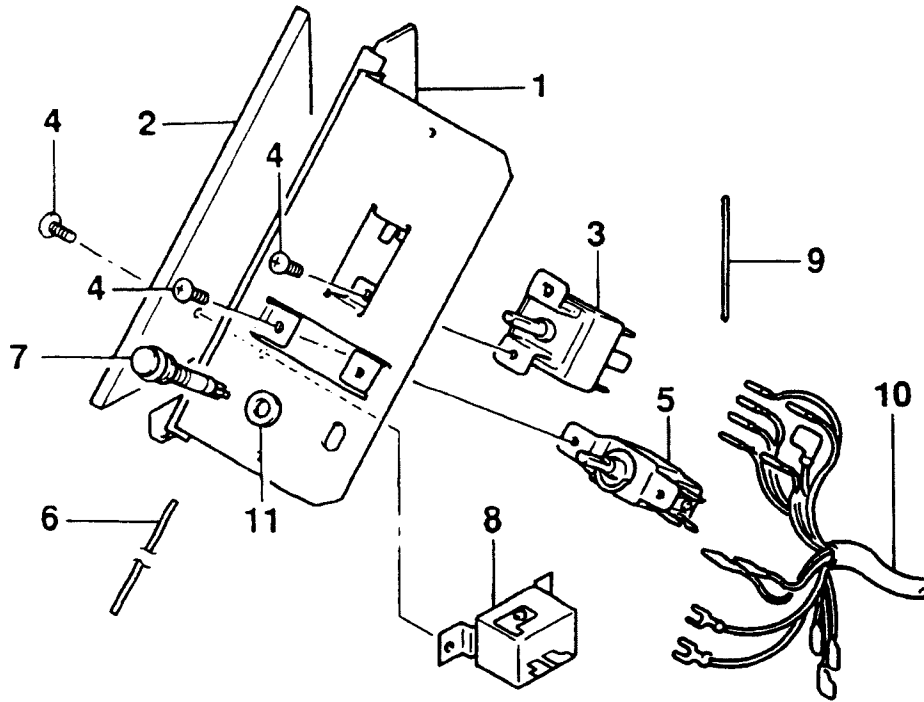
ILL. NO.	NUMBER	DESCRIPTION	QTY	MODIFICATION DATE	REMARKS
	484500-0520	CONTROL BOX ASSY	1	~'94.4	CLASSIC 18, ~'94.4
1	484520-0332	BOX SUB-ASSY	1		
2	484507-0230	CAPACITOR, COMPRESSOR	1		25 μ F 440V
3	484507-0220	CAPACITOR, FAN MOTOR	1		10 μ F 440V
4	949006-3250	SCREW	9		
5	484560-0300	SWITCH ASSY, FAN MODE	1		
6	949006-4570	SCREW	2		
7	484003-0220	PLATE, ORNAMENT	1		
8	484531-0170	RELAY, AUXILIARY RESTART	1		(RRX)
9	949006-4440	SCREW, FLANGE	2		
10	185642-0090	HOLDER, RELAY	2		
11	484531-0230	RELAY, COMPRESSOR	1		(MCC)
12	484531-0200	RELAY, AUXILIARY	1		(RX)
13	484503-0170	TERMINAL BLOCK/SOCKET	1		TIME DELAY RELAY
14	484503-0180	TERMINAL BLOCK	1		(TB) POWER
15	949006-3280	SCREW	2		
16	91051-04100	SCREW	3		
17	90201-04300	WASHER, PLATE	3		
18	949321-3010	GROMMET	3		
19	949321-3000	GROMMET	2		(CTD)
20	484930-1450	WIRE ASSY	1		INCLUDED W/ NO. 22
21	484930-1460	WIRE ASSY	1		
22	484531-0250	RELAY, COMP. TIME DELAY	1		
23	484927-0400	HOLDER	1		
25	90200-04331	PLATE, INSULATION	1		
26	484927-0380	HOLDER, CAPACITOR	2		

CLASSIC 18 (15SFU-1)



CONTROL BOX ASSY ('94.4~)

ILL. NO.	NUMBER	DESCRIPTION	QTY	MODIFICATION DATE	REMARKS
	484500-1380	CONTROL BOX ASSY	1	'94.4~	CLASSIC 18, '94.4~
1	484520-0550	BOX SUB-ASSY	1		
2	484507-0470	CAPACITOR, FAN MOTOR	1		10 μ F 400V
3	484507-0460	CAPACITOR, COMPRESSOR	1		25 μ F 400V
4	949006-3250	SCREW	9		M4, L10
5	484560-0300	SWITCH ASSY, FAN MODE	1		
6	949006-4570	SCREW	2		M2.5, L5
7	484003-0220	PLATE, ORNAMENT	1		
8	484531-0170	RELAY, AUXILIARY RESTART	1		(RRX)
9	92100-03081	SCREW, FLANGE	1		
10	185642-0090	HOLDER, RELAY	2		
11	484531-0230	RELAY, COMPRESSOR	1		(MCC)
12	484531-0200	RELAY, AUXILIARY	1		(RX)
13	484503-0170	TERMINAL BLOCK/SOCKET	1		TIME DELAY RELAY
14	484503-0440	TERMINAL BLOCK	1		(TB) POWER
15	949006-3280	SCREW	2		M4, L18
16	91051-04100	SCREW	3		M4, L10
17	90201-04300	WASHER, PLATE	3		
18	949321-3010	GROMMET	3		
19	949321-3000	GROMMET	2		
20	484930-1450	WIRE ASSY	1		
21	484930-1460	WIRE ASSY	1		
22	484531-0251	RELAY, COMP. TIME DELAY	1		(CTD)
23		HOLDER	1		INCLUDED W/ No.22
24	484311-1620	PLATE, SHORT CIRCUIT	1		
25	484311-1630	PLATE, INSULATION	1		



CONTROL SWITCH ASSY

ILL. NO.	NUMBER	DESCRIPTION	QTY	MODIFICATION DATE	REMARKS
	484560-0321	SWITCH ASSY, CONTROL	1		CLASSIC 18
1	484390-0381	COVER SUB-ASSY	1		
2	484901-3990	PACKING	1		
3	484502-0070	SWITCH, CONTROL	1		
4	91050-04061	SCREW	5		M4, L6
5	484504-0030	THERMOSTAT, ROOM	1		
6	7151-253308	TUBE, VINYL	1		
7	484933-0150	LAMP, WARNING	1		FULL DRAIN TANK
8	484504-0020	THERMOSTAT, FREEZE	1		
9	484922-0080	CAP	1		
10	484930-1492	WIRE ASSY	1		
11	90200-10231	WASHER, PLATE	1		FOR M10

DENSO

DENSO SALES CALIFORNIA, INC.

TECHNICAL SERVICE DEPARTMENT

First Issue: March 1999

Printed in U.S.A.

DSCA P/N: LA990009-0350-F