

SPARE PARTS CATALOG

CLASSIC 18

SERIAL NUMBER FROM JANUARY 2009 (0109) TO PRESENT



MOVINCOOL®
THE #1 SPOT COOLING SOLUTION

© 2009 DENSO CORPORATION

All Rights Reserved. This book may not be reproduced or copied, in whole or in part, without the written permission of the publisher.

CLASSIC 18

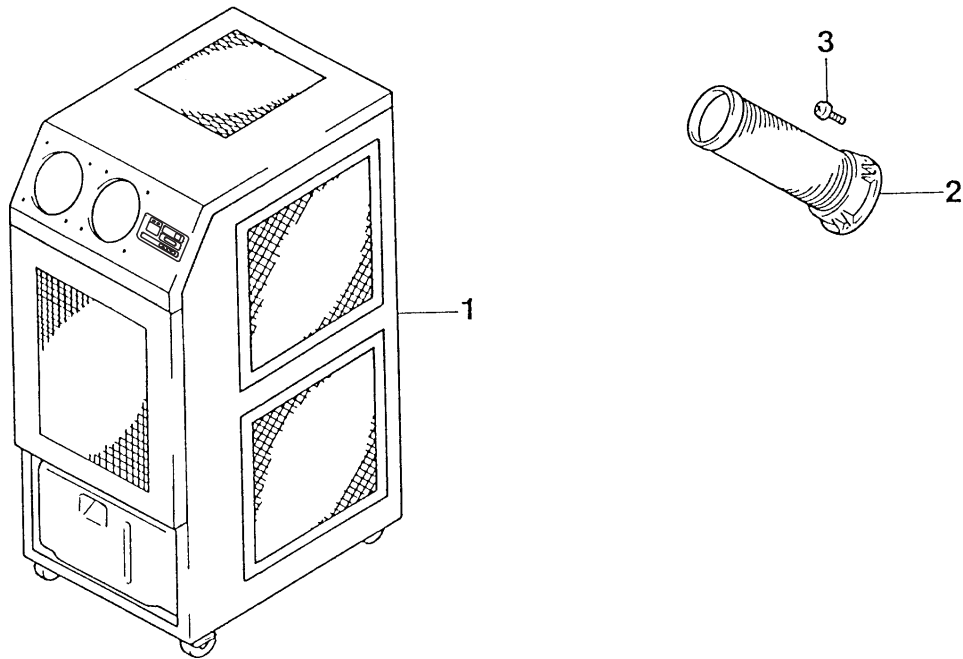
Unit Part No: 484000-4080

Production Period: From January 2009 (0109)
To Present

[MEMO]

CLASSIC 18

Serial Number from January 2009 (0109) to Present



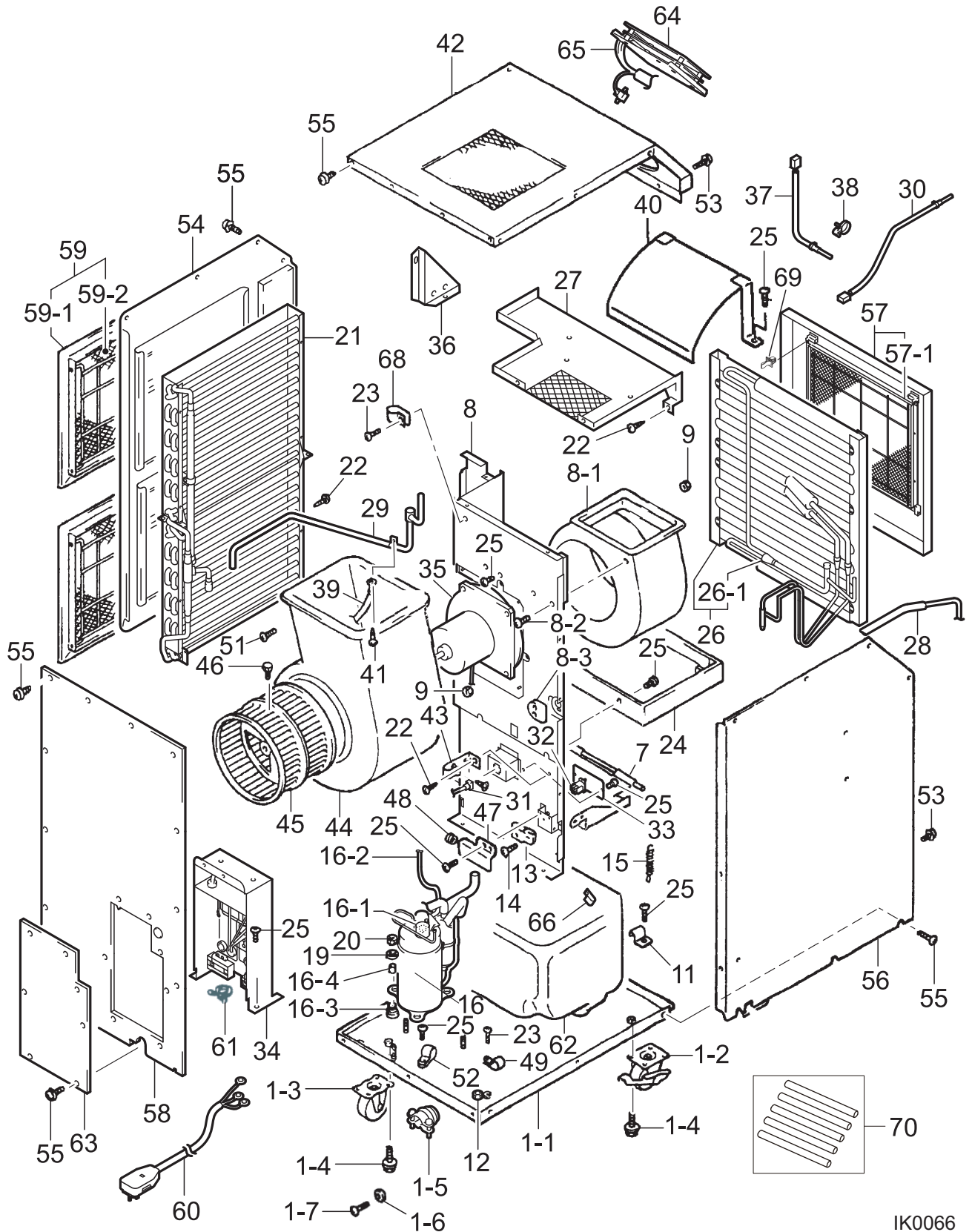
IK0024

ILLUSTRATION NUMBER	DENSO NUMBER	MANUFACTURER NUMBER	DESCRIPTION	QTY	MODIFICATION DATE	REMARKS
1			UNIT ASSY			NO SUPPLY*
2	484350-0111		DUCT ASSY	2		
3	91370-06121		SCREW, W/WASHER	8		M6,L12

NO SUPPLY* : Supply as sub-assembly only.

CLASSIC 18

Serial Number from January 2009 (0109) to Present



IK0066

CLASSIC 18

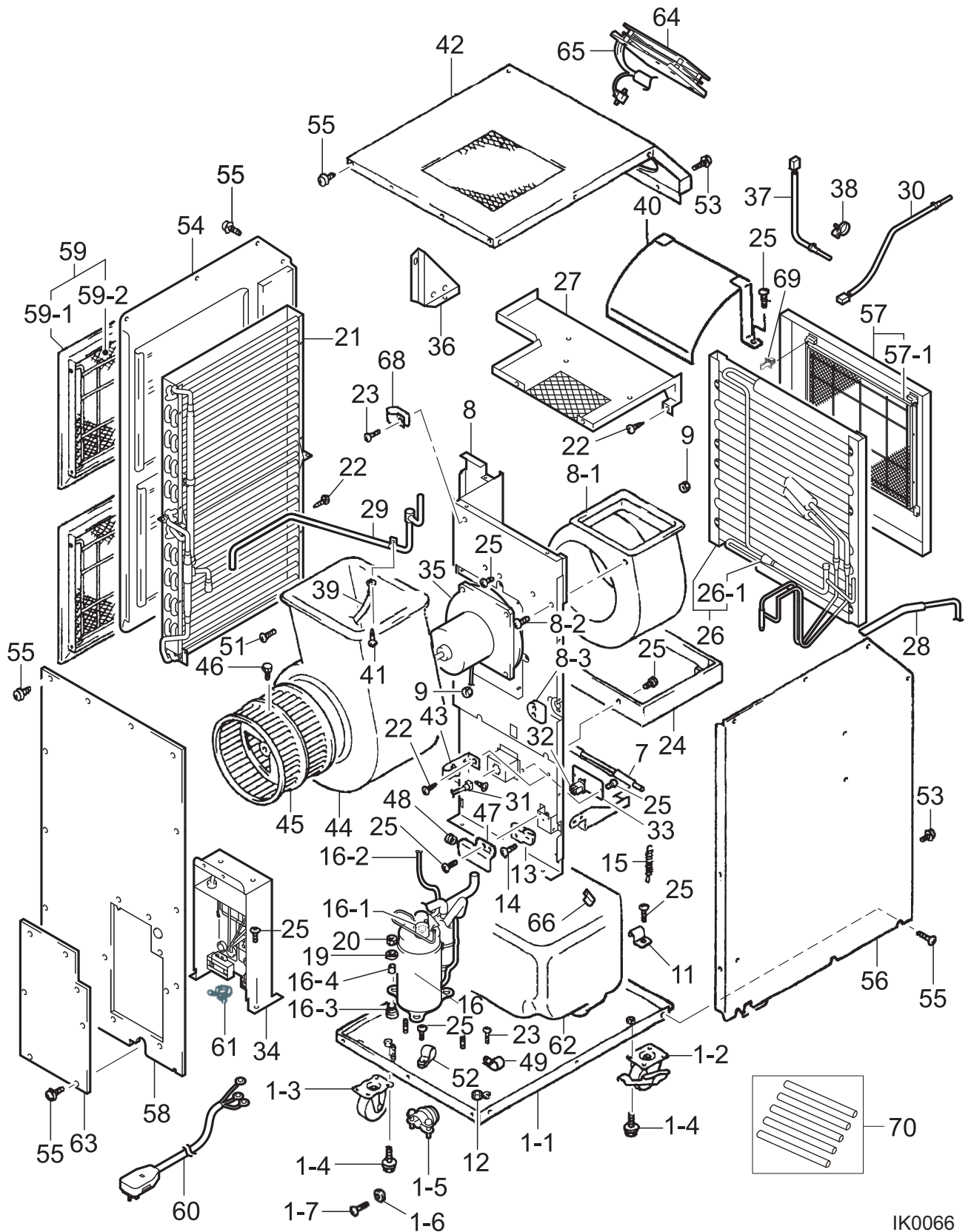
Serial Number from January 2009 (0109) to Present

ILLUSTRATION NUMBER	DENSO NUMBER	MANUFACTURER NUMBER	DESCRIPTION	QTY	MODIFICATION DATE	REMARKS
1			UNIT ASSY			NO SUPPLY*
1-1			FRAME ASSY			NO SUPPLY
1-2	484702-0240		FRAME SUB-ASSY			NO SUPPLY
1-3	484702-0250		ROLLER	2		W/LOCK
1-4	91510-08141		ROLLER	2		NO LOCK
1-5	479748-0020		BOLT, W/WASHER	8		M8,L14
1-6	90201-06400		CONNECTOR	1		
1-7	90051-06120		WASHER, PLATE	1		FOR GROUND
7	484310-5331		SCREW, CROSSRECESS PAN	1		M6,L12,GROUND
8			FRAME SUB-ASSY	1		
8-1	484261-0010		FRAME ASSY			NO SUPPLY
8-2	91370-06161		CASING	1		
8-3	484926-0120		SCREW, W/WASHER	4		M6,L16
9	949056-1430		GROMMET	1		
11	484927-0970		NUT	9		M6
12	949056-1501		HOLDER	1		
13	484502-0520		NUT	7		M4
14	91310-03161		SWITCH	1		(DS)
15	949171-2090		SCREW, W/WASHER	2		M3,L16
16	484650-2920		SPRING, TENSION COIL	2		
16-1	484501-0450		COMPRESSOR ASSY	1		w//ILL. 16-1 ~ 16-4
16-2	481950-0380		RELAY, OVERLOAD	1		
16-3	484904-0380		WIRE ASSY	1		
16-4	484915-0410		CUSHION	3		
19	949011-5330		COLLAR	3		ID10.2
20	90190-08651		WASHER, STEEL PLATE	3		
21	484600-2400		NUT, HEXAGON	3		M8
22	949001-1570		CORE ASSY	1		
23	949006-6140		SCREW, TAPPING	6		D4,L10
24	484430-0120		SCREW	3		M4,L16
25	949006-5850		PAN ASSY, DRAIN	1		
26	484600-2410		SCREW	18		M4,L10
26-1	484800-4700		CORE ASSY	1		w//ILL. 26-1
27	484340-3120		PIPE ASSY	1		CAPILLARY
28	484800-4730		STAY SUB-ASSY	1		
29	484800-4750		PIPE ASSY	1		
30	482780-1540		PIPE ASSY	1		
31	484930-9923		THERMISTOR ASSY	1		ANTI FREEZE
32	484930-9931		WIRE ASSY	1		FOR DRAIN PUMP
33	484311-2880		WIRE ASSY	1		JUMPER CONNECTOR
			PLATE	1		

NO SUPPLY* : Supply as sub-assembly only.

CLASSIC 18

Serial Number from January 2009 (0109) to Present



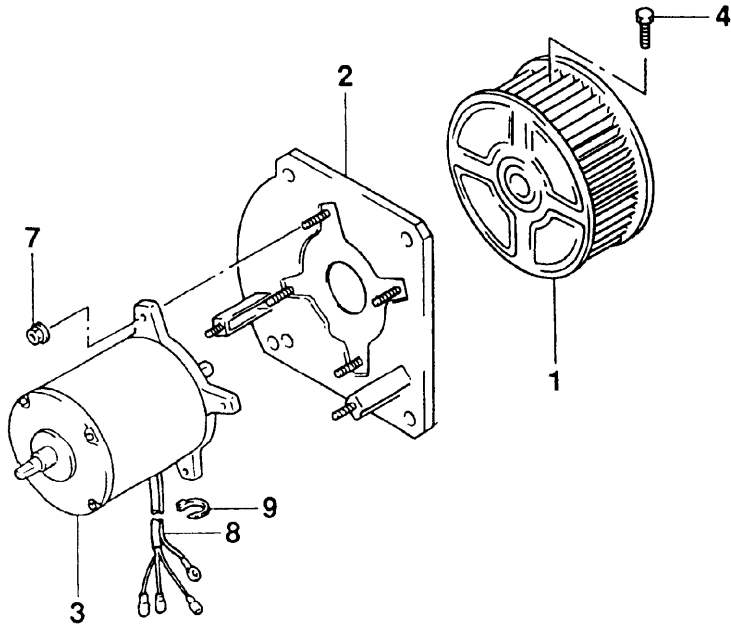
IK0066

CLASSIC 18

Serial Number from January 2009 (0109) to Present

ILLUSTRATION NUMBER	DENSO NUMBER	MANUFACTURER NUMBER	DESCRIPTION	QTY	MODIFICATION DATE	REMARKS
34			CONTROLLER ASSY			NO SUPPLY*
35			BLOWER ASSY			NO SUPPLY*
36	484320-0660		BRACKET SUB-ASSY	1		
37	482780-1550		THERMISTOR ASSY	1		ROOM
38	482852-0930		CLIP, NONMETALLIC	1		
39	484930-0772		WIRE ASSY	1		FOR GROUND
40	484340-0920		STAY SUB-ASSY	1		
41	91051-04100		SCREW, CROSSRECESS PAN	1		M4,L10,GROUND
42	484410-8880		PANEL ASSY	1		
43	484927-0151		HOLDER	1		
44	484261-0070		CASING	1		
45	484221-0350		FAN	1		
46	949040-6150		BOLT, HEXAGON	1		M8,L18.5
47	484391-2421		COVER	1		
48	484926-0290		GROMMET	1		
49	481902-0030		CLAMP	1		
51	949007-3600		SCREW, W/WASHER	2		M4,L14
52	949350-3030		CLIP, CORD	1		D15.2
53	949008-0850		SCREW, TAPPING, W/WASHER	4		M4,L10
54	484410-9110		PANEL ASSY	1		
55	480919-0370		BOLT	49		M4,L10
56	484410-8850		PANEL ASSY	1		
57	484410-8910		PANEL ASSY	1		w/ILL. 57-1
57-1	484401-0661		FILTER	1		
58	484410-8900		PANEL ASSY	1		
59	484400-0190		FILTER ASSY	2		w/ILL. 59-1,59-2
59-1	484300-0260		FRAME ASSY	1		
59-2	484401-0661		FILTER	1		
60	LA484930-8581		WIRE ASSY	1		FOR POWER CORD
61	084892-0490		CLAMP	1		ID20
62	484731-0021		TANK	1		
63	484470-4310		PANEL SUB-ASSY	1		
64	484560-2090		SWITCH ASSY	1		(CB)
65	484930-9881		WIRE ASSY	1		
66	473459-0370		CLAMP	1		
68	949350-3090		CLIP, CORD	3		
69	484923-0070		KNOB	2		
70	484800-0440		PIPE ASSY	1		FOR CHARGING

NO SUPPLY* : Supply as sub-assembly only.



OM0008

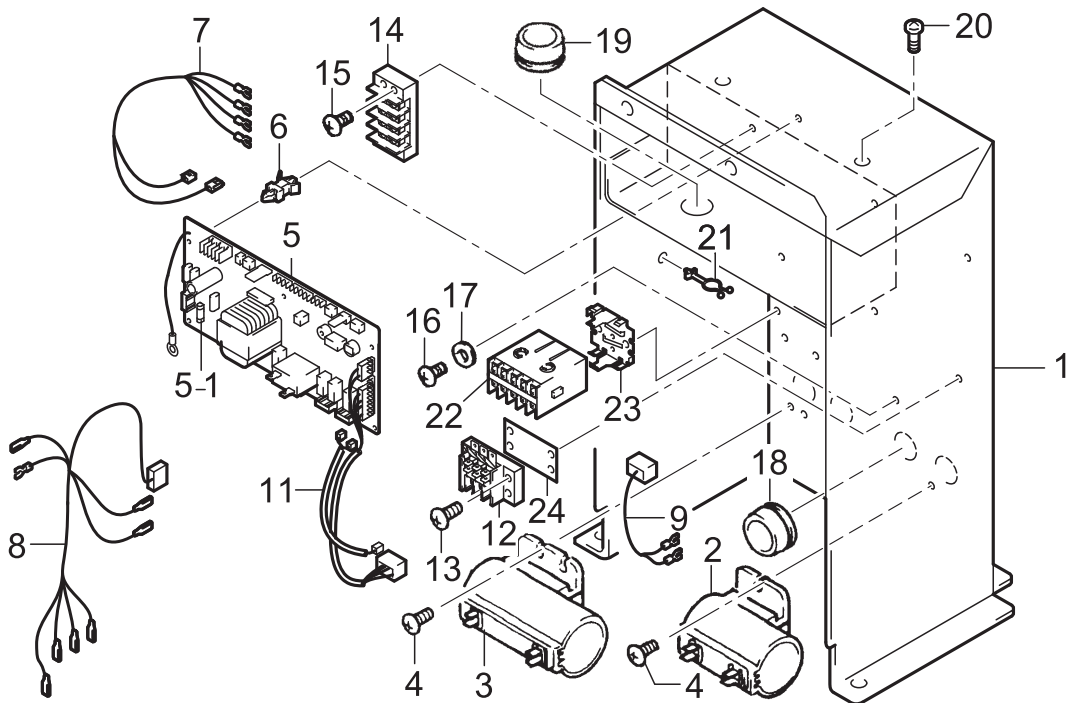
ILLUSTRATION NUMBER	DENSO NUMBER	MANUFACTURER NUMBER	DESCRIPTION	QTY	MODIFICATION DATE	REMARKS
			BLOWER ASSY			NO SUPPLY*
1	484221-0112		FAN	1		
2	484330-0340		STAY ASSY	1		
3	484211-1281		MOTOR	1		
4	949040-6150		BOLT, HEXAGON	1		M8,L18.5
7	92150-06061		NUT, FLANGE	4		M6
8	484930-0760		WIRE ASSY	1		
9	480841-0010		CLIP	2		L100

NO SUPPLY* : Supply as sub-assembly only.

[MEMO]

CLASSIC 18

Serial Number from January 2009 (0109) to Present



IK0026

ILLUSTRATION NUMBER	DENSO NUMBER	MANUFACTURER NUMBER	DESCRIPTION	QTY	MODIFICATION DATE	REMARKS
			CONTROLLER ASSY			NO SUPPLY*
1	484520-1143		BOX SUB-ASSY	1		
2	484507-0470		CONDENSER	1		10 μ F,400V
3	482704-2870		CONDENSER	1		35 μ F,400V
4	949006-3250		SCREW	5		M4,L10
5	484500-3541		CONTROLLER ASSY	1		(RB) , W/ILL. 5-1
5-1	481936-0140		FUSE	1		5A, 250V, 5 PIECE*
6	482125-3170		SUPPORT	6		
7	484930-9841		WIRE ASSY	1		
8	484930-9902		WIRE ASSY	1		
9	484930-9911		WIRE ASSY	1		
11	484930-9962		WIRE ASSY	1		(RB) ~ (DS,CB)
12	484503-0430		TERMINAL	1		FOR SIGNAL
13	949006-3280		SCREW	2		M4,L18
14	484503-0910		TERMINAL	1		FOR POWER CORD
15	91310-03161		SCREW, W/WASHER	2		M3,L16
16	91051-04100		SCREW, CROSSRECESS PAN	4		M4,L10
17	90201-04300		WASHER, PLATE	4		T0.8

NO SUPPLY* : Supply as sub-assembly only.

5 PIECE* : Supply as 5 pieces per package.

CLASSIC 18**Serial Number from January 2009 (0109) to Present**

ILLUSTRATION NUMBER	DENSO NUMBER	MANUFACTURER NUMBER	DESCRIPTION	QTY	MODIFICATION DATE	REMARKS
18	949321-3010		GROMMET	4		
19	949321-3000		GROMMET	1		
20	949006-5850		SCREW	2		M4,L10
21	473459-0160		CLAMP	1		
22	484531-0790		RELAY	1		
23	185642-0090		HOLDER	1		
24	484311-1650		PLATE	1		

NO SUPPLY* : Supply as sub-assembly only.

DENSO CORPORATION

SERVICE DEPARTMENT

Kariya, Aichi, Japan

First Issue : January, 2009

Publication No. : IZZPK20

Printed in Japan