

# SPARE PARTS CATALOG

## CLASSIC 10

SERIAL NUMBER FROM JANUARY 2009 (0109) TO PRESENT



**MOVINCOOL®**  
THE #1 SPOT COOLING SOLUTION

© 2009 DENSO CORPORATION

All Rights Reserved. This book may not be reproduced or copied, in whole or in part, without the written permission of the publisher.

# **CLASSIC 10**

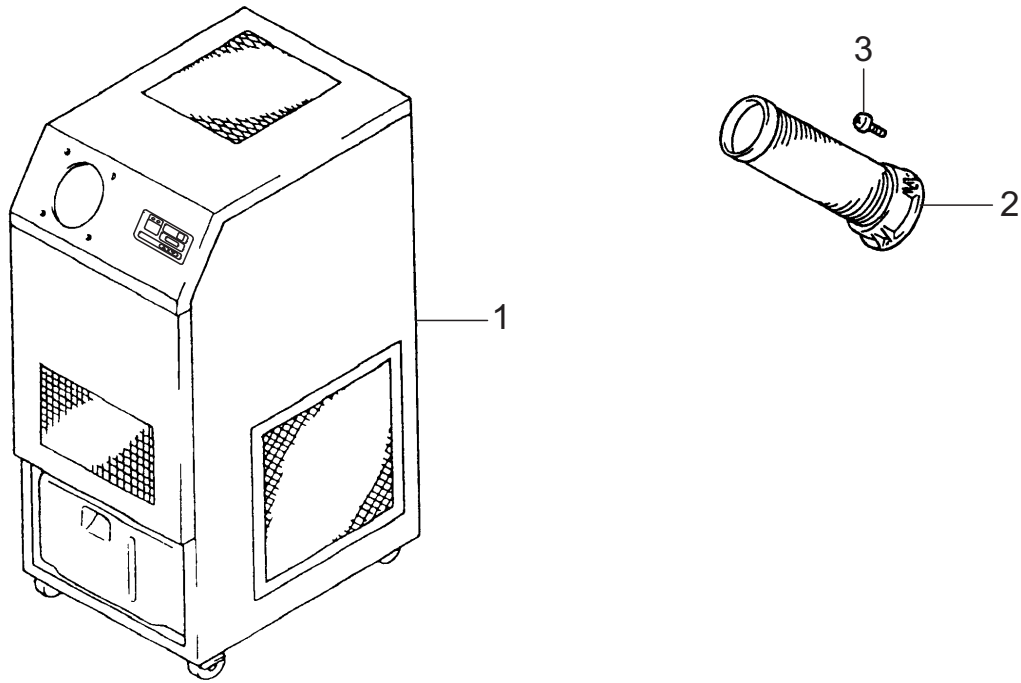
Unit Part No: 484000-4070

Production Period: From January 2009 (0109)  
To Present

[MEMO]

**CLASSIC 10**

Serial Number from January 2009 (0109) to Present



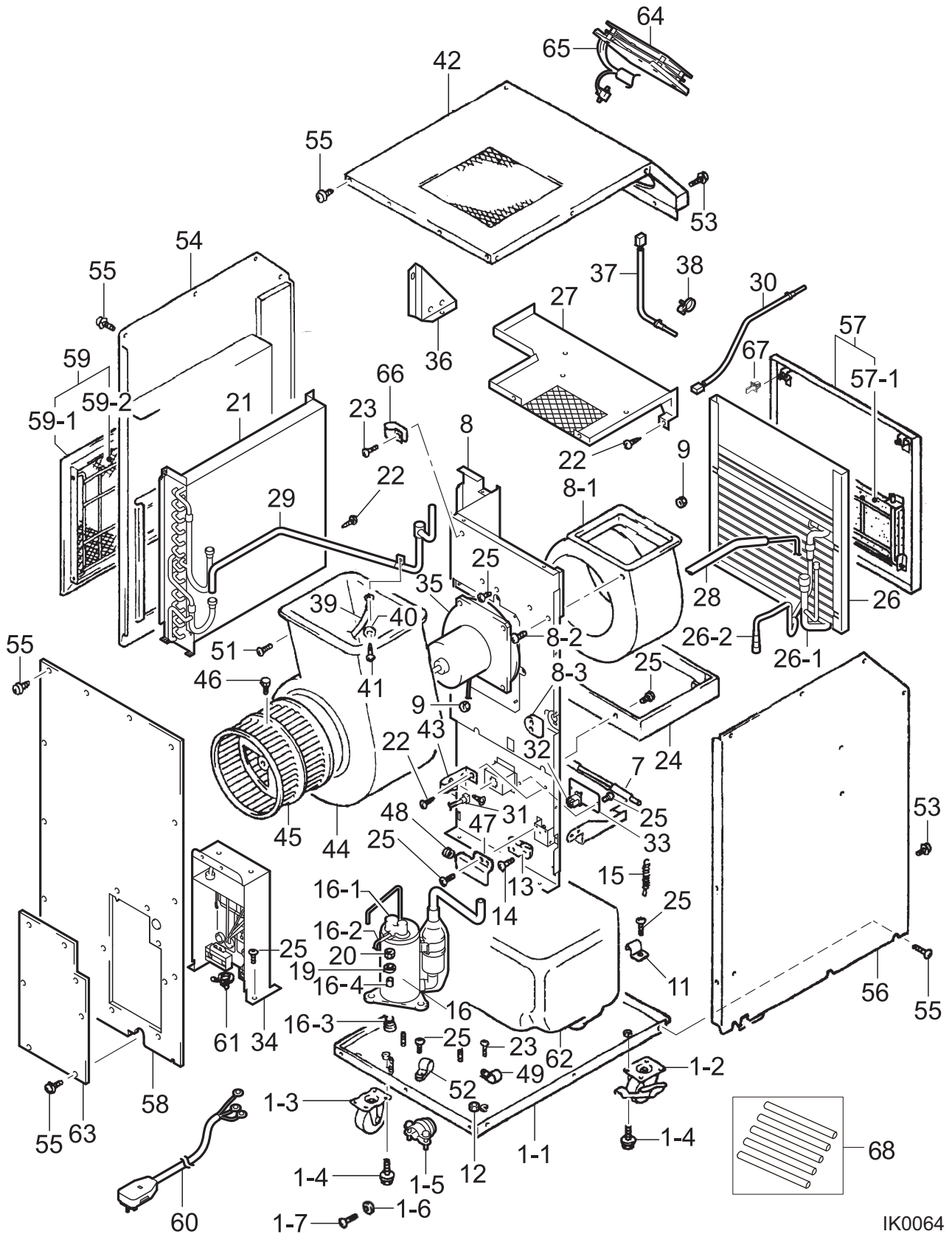
IK0021

ILLUSTRATION NUMBER	DENSO NUMBER	MANUFACTURER NUMBER	DESCRIPTION	QTY	MODIFICATION DATE	REMARKS
1			UNIT ASSY			NO SUPPLY*
2	484350-0111		DUCT ASSY	1		
3	91370-06121		SCREW, WWASHER	4		M6,L12

NO SUPPLY\* : Supply as sub-assembly only.

**CLASSIC 10**

**Serial Number from January 2009 (0109) to Present**



IK0064

# CLASSIC 10

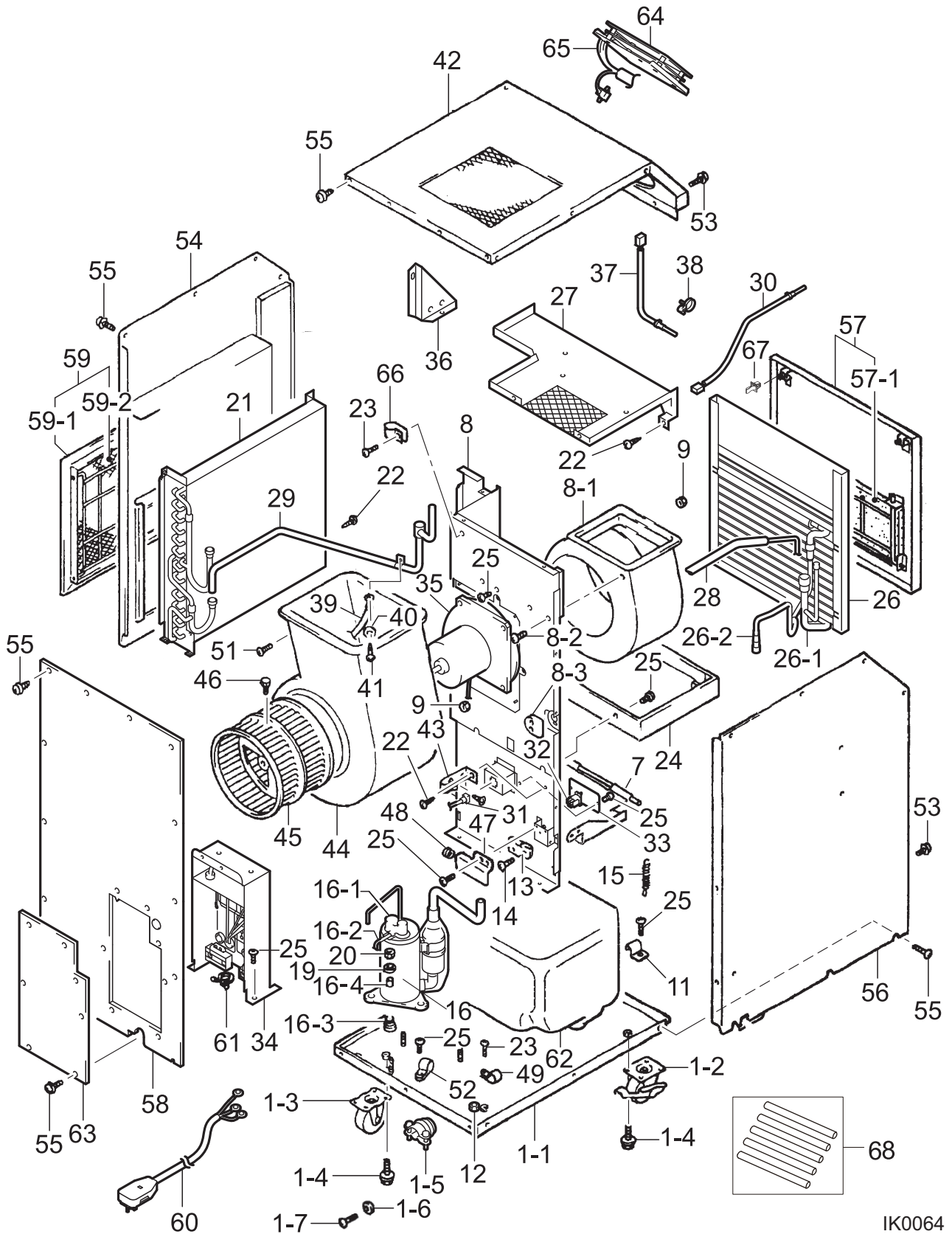
## Serial Number from January 2009 (0109) to Present

ILLUSTRATION NUMBER	DENSO NUMBER	MANUFACTURER NUMBER	DESCRIPTION	QTY	MODIFICATION DATE	REMARKS
1			UNIT ASSY			NO SUPPLY *
1-1			FRAME ASSY			NO SUPPLY
1-2	484702-0240		FRAME SUB-ASSY			NO SUPPLY
1-3	484702-0250		ROLLER	2		W/LOCK
1-4	91510-08141		ROLLER	2		NO LOCK
1-5	479748-0020		BOLT, W/WASHER	8		M8,L14
1-6	90201-06400		CONNECTOR	1		
1-7	90051-06120		WASHER, PLATE	1		FOR GROUND
7	484310-5331		SCREW, CROSSRECESS PAN	1		M6,L12,GROUND
8			FRAME SUB-ASSY	1		
8-1	484261-0010		FRAME ASSY			NO SUPPLY
8-2	91370-06161		CASING	1		
8-3	484926-0120		SCREW, W/WASHER	4		M6,L16
9	949056-1430		GROMMET	1		
11	484927-0970		NUT	9		M6
12	949056-1501		HOLDER	1		
13	484502-0520		NUT	7		M4
14	91310-03161		SWITCH	1		(DS)
15	949171-2090		SCREW, W/WASHER	2		M3,L16
16	484650-2910		SPRING, TENSION COIL	2		
16-1	484501-0440		COMPRESSOR ASSY	1		w//ILL. 16-1 ~ 16-4
16-2	481950-0380		RELAY, OVERLOAD	1		
16-3	484904-0380		WIRE ASSY	1		
16-4	484915-0410		CUSHION	3		
19	949011-5330		COLLAR	3		
20	90190-08651		WASHER, STEEL PLATE	3		
21	484600-2360		NUT, HEXAGON	3		M8
22	949001-1570		CORE ASSY	1		
23	949006-6140		SCREW, TAPPING	3		D4,L10
24	484430-0120		SCREW	3		M4,L16
25	949006-5850		PAN ASSY, DRAIN	1		
26	484600-2370		SCREW	14		M4,L10
26-1	484800-4560		CORE ASSY	1		w//ILL. 26-1,26-2
26-2	484800-4570		PIPE ASSY	1		
27	484340-3100		PIPE ASSY	1		CAPILLARY
28	484800-4590		STAY SUB-ASSY	1		
29	484800-4610		PIPE ASSY	1		
30	482780-1540		PIPE ASSY	1		
31	484930-9863		THERMISTOR ASSY	1		ANTI FREEZE
32	484930-8831		WIRE ASSY	1		FOR DRAIN PUMP
33	484311-2880		WIRE ASSY	1		JUMPER CONNECTOR
			PLATE	1		

NO SUPPLY\* : Supply as sub-assembly only.

**CLASSIC 10**

**Serial Number from January 2009 (0109) to Present**



IK0064



**CLASSIC 10**

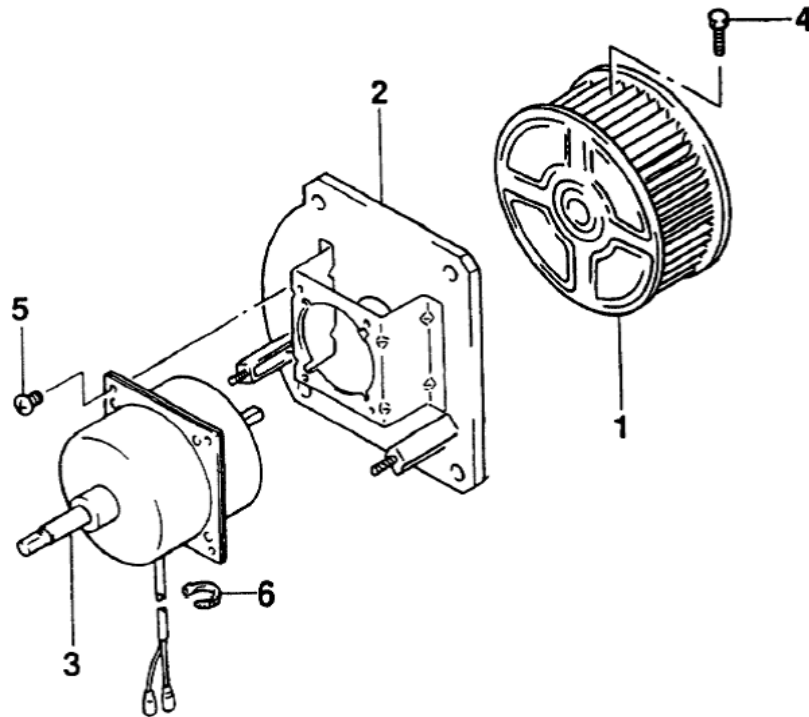
**Serial Number from January 2009 (0109) to Present**

ILLUSTRATION NUMBER	DENSO NUMBER	MANUFACTURER NUMBER	DESCRIPTION	QTY	MODIFICATION DATE	REMARKS
34			CONTROLLER ASSY			NO SUPPLY*
35			BLOWER ASSY			NO SUPPLY*
36	484320-0660		BRACKET SUB-ASSY	1		
37	482780-1550		THERMISTOR ASSY	1		ROOM
38	482852-0930		CLIP, NONMETALLIC	1		
39	484930-0771		WIRE ASSY	1		GROUND
40	90201-04300		WASHER, PLATE	1		T0.8,GROUND
41	91051-04100		SCREW, CROSSRECESS PAN	1		M4,L10,GROUND
42	484410-8840		PANEL ASSY	1		
43	484927-0151		HOLDER	1		
44	484261-0070		CASING	1		
45	484221-0350		FAN	1		
46	949040-6150		BOLT, HEXAGON	1		M8,L18.5
47	484391-2421		COVER	1		
48	484926-0290		GROMMET	1		
49	481902-0030		CLAMP	1		
51	949007-3600		SCREW, W/WASHER	2		M4,L14
52	949350-3030		CLIP, CORD	1		D15.2
53	949008-0850		SCREW, TAPPING, W/WASHER	4		
54	484410-9080		PANEL ASSY	1		
55	480919-0370		BOLT	46		
56	484410-8850		PANEL ASSY	1		
57	484410-7840		PANEL ASSY	1		w/ILL. 57-1
57-1	484401-0901		FILTER	1		
58	484410-8860		PANEL ASSY	1		
59	484400-0190		FILTER ASSY	1		w/ILL. 59-1,59-2
59-1	484300-0260		FRAME ASSY	1		
59-2	484401-0661		FILTER	1		
60	484930-8650		WIRE ASSY	1		FOR POWER CORD
61	084892-0490		CLAMP	1		ID20
62	484731-0021		TANK	1		
63	484410-8870		PANEL ASSY	1		
64	484560-2080		SWITCH ASSY	1		(CB)
65	484930-9881		WIRE ASSY	1		
66	949350-3090		CLIP, CORD	3		D16
67	484923-0070		KNOB	2		
68	484800-0440		PIPE ASSY	1		FOR CHARGING

NO SUPPLY\* : Supply as sub-assembly only.

**CLASSIC 10**

Serial Number from January 2009 (0109) to Present



OM0007

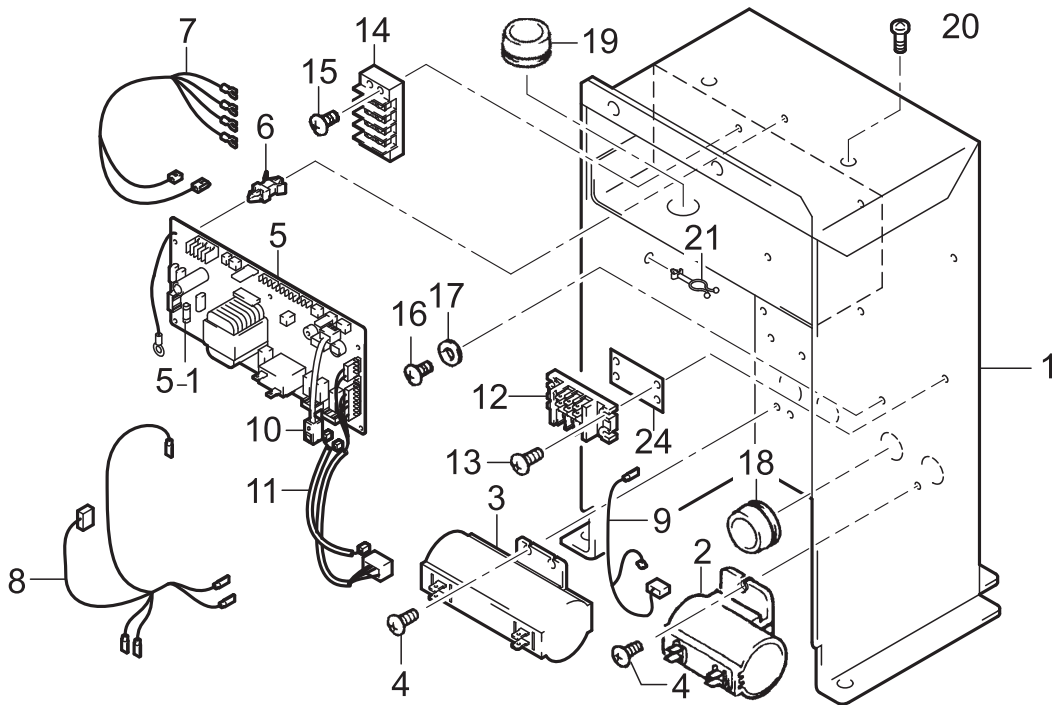
ILLUSTRATION NUMBER	DENSO NUMBER	MANUFACTURER NUMBER	DESCRIPTION	QTY	MODIFICATION DATE	REMARKS
1	484221-0112		BLOWER ASSY			NO SUPPLY *
2	484330-0410		FAN	1		
3	484211-1294		STAY ASSY	1		
4	949040-6150		MOTOR	1		
5	90050-06101		BOLT, HEXAGON	1		M8,L18.5
6	040033-1680		SCREW, CROSSRECESS PAN	4		M6,L10
			CLAMP	1		FOR 1/2"

NO SUPPLY\* : Supply as sub-assembly only.

[MEMO]

# CLASSIC 10

Serial Number from January 2009 (0109) to Present



IK0065

ILLUSTRATION NUMBER	DENSO NUMBER	MANUFACTURER NUMBER	DESCRIPTION	QTY	MODIFICATION DATE	REMARKS
1	484520-1143		CONTROLLER ASSY			NO SUPPLY*
			BOX SUB-ASSY	1		
2	484507-0441		CONDENSER	1		16 $\mu$ F,200V
3	484507-1730		CONDENSER	1		55 $\mu$ F,370V
4	949006-3250		SCREW	3		M4,L10
5	484500-3541		CONTROLLER ASSY	1		(RB), W/ILL. 5-1
5-1	481936-0140		FUSE	1		5A, 250V, 5 PIECE*
6	482125-3171		SUPPORT	6		
7	484930-9841		WIRE ASSY	1		
8	484930-9852		WIRE ASSY	1		
9	484930-9942		WIRE ASSY	1		
10	484930-9951		WIRE ASSY	1		
11	484930-9962		WIRE ASSY	1		(RB) ~ (DS,CB)
12	484503-0430		TERMINAL	1		FOR SIGNAL
13	949006-3280		SCREW	2		M4,L18
14	484503-0910		TERMINAL	1		FOR POWER
15	91310-03161		SCREW, W/WASHER	2		M3,L16
16	91051-04100		SCREW, CROSSRECESS PAN	4		M4,L10

NO SUPPLY\* : Supply as sub-assembly only.

5 PIECE\* : Supply as 5 pieces per package.

**CLASSIC 10****Serial Number from January 2009 (0109) to Present**

ILLUSTRATION NUMBER	DENSO NUMBER	MANUFACTURER NUMBER	DESCRIPTION	QTY	MODIFICATION DATE	REMARKS
17	90201-04300		WASHER, PLATE	4		T0.8
18	949321-3010		GROMMET	4		
19	949321-3000		GROMMET	1		
20	949006-5850		SCREW	2		M4,L10
21	473459-0160		CLAMP	1		
24	484311-1650		PLATE	1		

NO SUPPLY\* : Supply as sub-assembly only.

DENSO CORPORATION

SERVICE DEPARTMENT

Kariya, Aichi, Japan

**First Issue** : January, 2009

**Publication No.** : IZZPK19

**Printed in Japan**