

SPARE PARTS CATALOG

Classic 10

SERIAL NUMBER FROM JANUARY 2008 (0108) TO PRESENT



MOVINCOOL®
THE #1 SPOT COOLING SOLUTION

MOVINCOOL®

Classic 10 (10SFU-1)
SPARE PARTS CATALOG

Unit Part No:
484000-3870

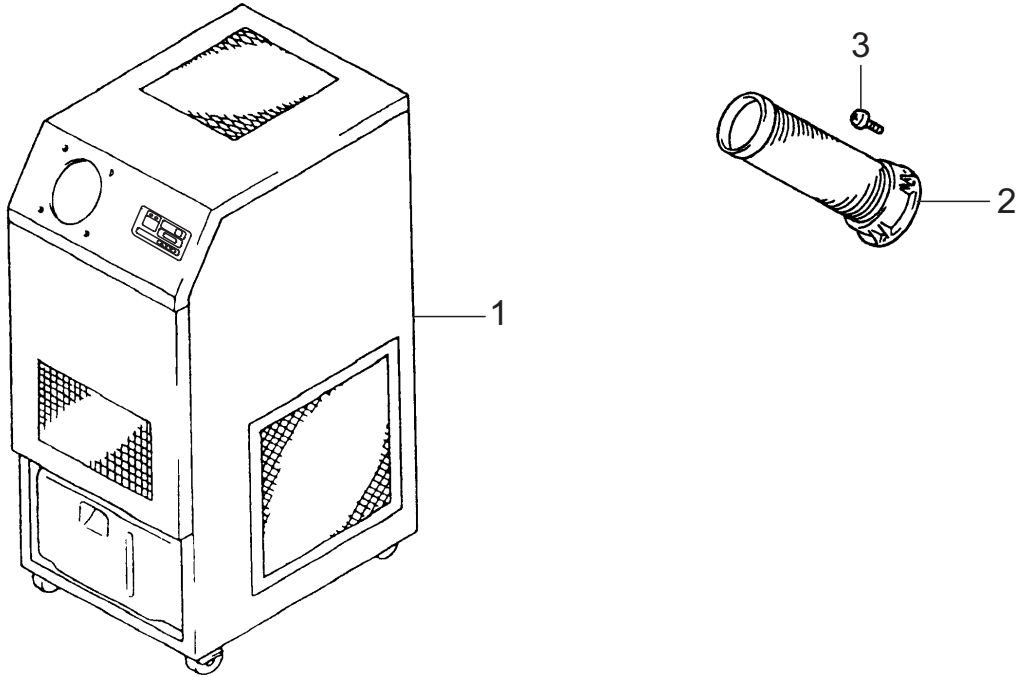
Production period
From January 2008

DENSO CORPORATION

© 2008 DENSO CORPORATION

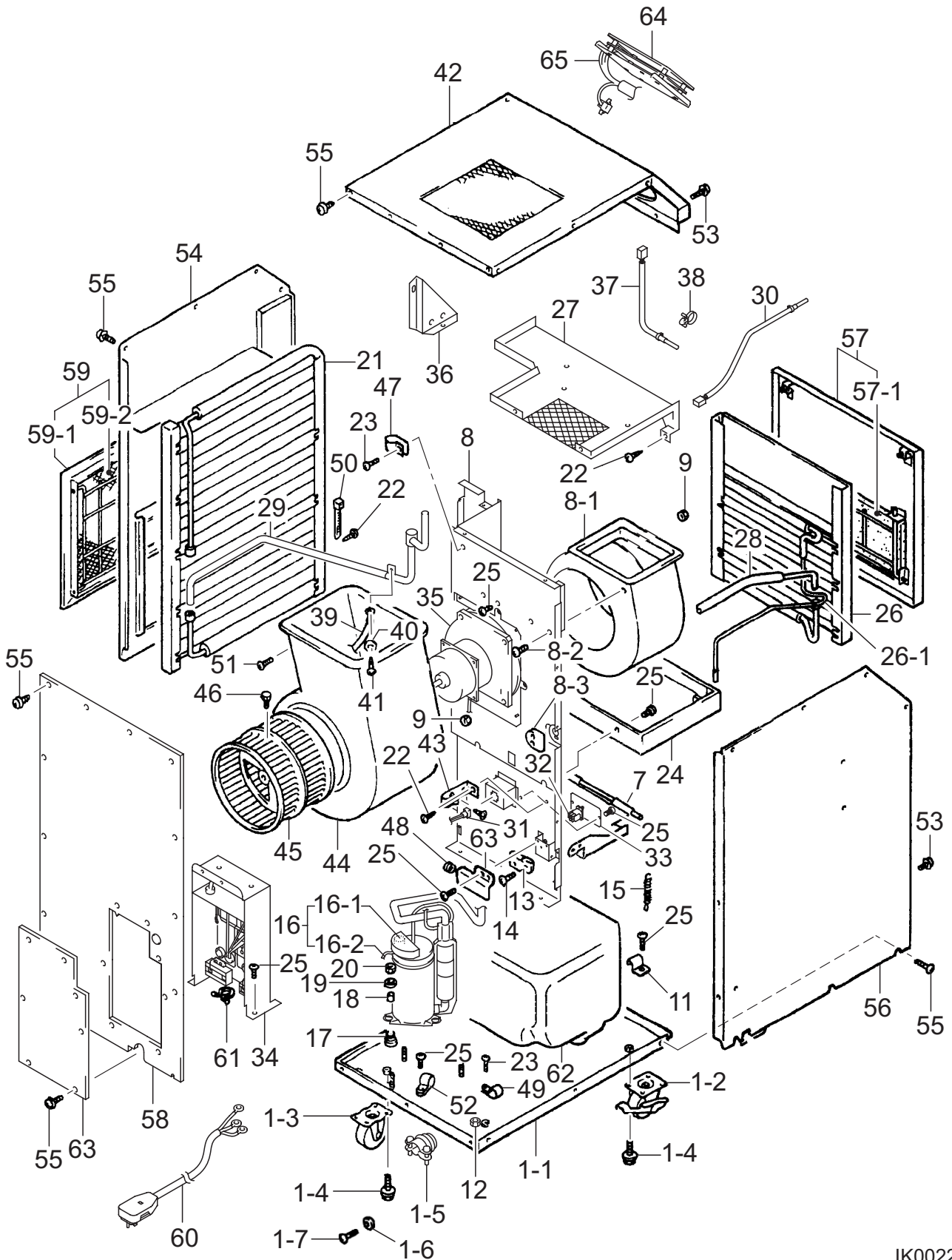
All Rights Reserved. This book may not be reproduced or copied, in whole or in part, without the written permission of the publisher.

DESCRIPTION	NUMBER	PRODUCTION PERIOD	REMARKS
CLASSIC 10 (10SFU-1)	484000-3870	From January 2008	



IK0021

ILLUSTRATION NUMBER	DENSO NUMBER	MANUFACTURER NUMBER	DESCRIPTION	QTY	MODIFICATION DATE	REMARKS
1			UNIT ASSY			SEE PAGE 4
2	484350-0111		DUCT ASSY	1		
3	91370-06121		SCREW, W/WASHER	4		M6,L12

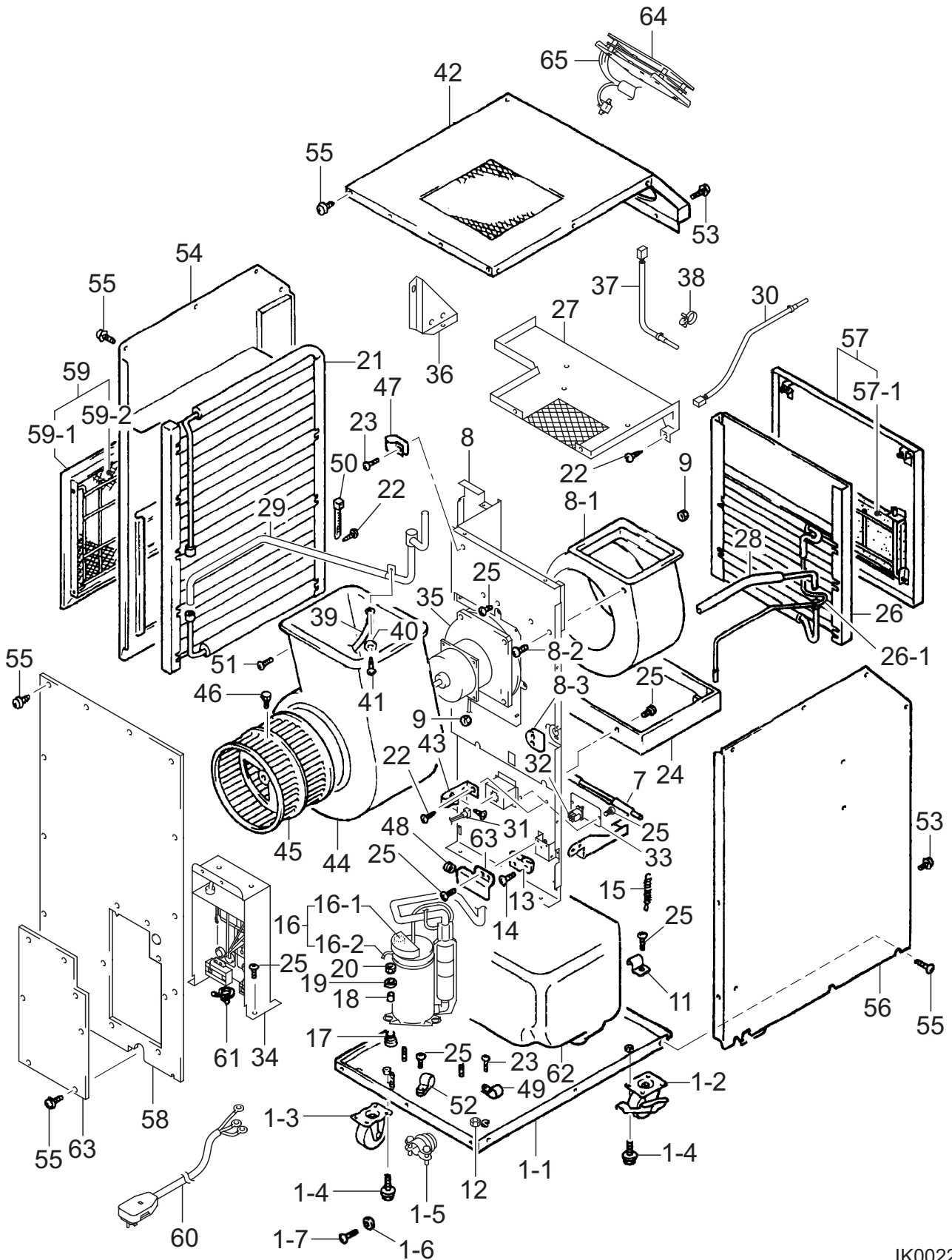


IK0022

UNIT ASSY

484100-2900

ILLUSTRATION NUMBER	DENSO NUMBER	MANUFACTURER NUMBER	DESCRIPTION	QTY	MODIFICATION DATE	REMARKS
0			UNIT ASSY			
1			FRAME ASSY			
1-1			FRAME SUB-ASSY			
1-2	484702-0240		ROLLER	2		W/LOCK
1-3	484702-0250		ROLLER	2		
1-4	91510-08141		BOLT, W/WASHER	8		M8,L14
1-5	479748-0020		CONNECTOR	1		
1-6	90201-06400		WASHER, PLATE	1		GROUND
1-7	90051-06120		SCREW, CROSS RECESS PAN	1		M6,L12,GROUND
7	484310-5330		FRAME SUB-ASSY	1		
8			FRAME ASSY	1		
8-1	484261-0010		CASING	1		
8-2	91370-06161		SCREW, W/WASHER	4		M6,L16
8-3	484926-0120		GROMMET	1		
9	949056-1430		NUT	13		M6
11	484927-0970		HOLDER	1		
12	949056-1501		NUT	7		M4
13	484502-0520		SWITCH	1		(DS)
14	91310-03161		SCREW, W/WASHER	2		M3,L16
15	949171-2090		SPRING, TENSION COIL	2		
16	484650-2770		COMPRESSOR ASSY	1		W/ILL. 16-1,16-2
16-1	484501-0190		RELAY, OVERLOAD	1		
16-2	484930-9830		WIRE ASSY	1		
17	484904-0200		CUSHION	3		
18	484915-0240		COLLAR	3		
19	949011-5330		WASHER, STEEL PLATE	3		
20	90190-08651		NUT, HEXAGON	3		M8
21	484600-0530		CORE ASSY	1		
22	949001-1570		SCREW, TAPPING	6		D4,L10
23	949006-6140		SCREW	6		M4,L16
24	484430-0120		PAN ASSY, DRAIN	1		
25	949006-5850		SCREW	17		M4,L10
26	484600-2290		CORE ASSY	1		W/ILL. 26-1
26-1	484800-2340		PIPE ASSY	1		CAPILLARY
27	484340-3100		STAY SUB-ASSY	1		
28	484800-4400		PIPE ASSY	1		
29	484800-4420		PIPE ASSY	1		
30	482780-1540		THERMISTOR ASSY	1		ANTI FREEZE
31	484930-9861		WIRE ASSY	1		FOR DRAIN PUMP
32	484930-8830		WIRE ASSY	1		JUMPER CONNECTOR
33	484311-2880		PLATE	1		
34			CONTROLLER ASSY			SEE PAGE 10



IK0022

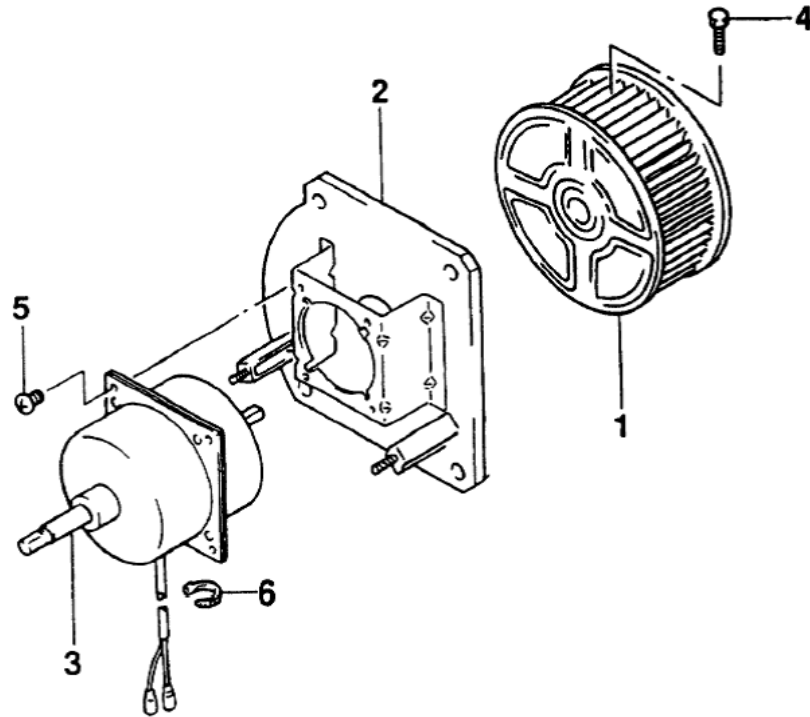
UNIT ASSY

484100-2900

ILLUSTRATION NUMBER	DENSO NUMBER	MANUFACTURER NUMBER	DESCRIPTION	QTY	MODIFICATION DATE	REMARKS
35			BLOWER ASSY			SEE PAGE 8
36	484320-0660		BRACKET SUB-ASSY	1		
37	482780-1550		THERMISTOR ASSY	1		ROOM
38	482852-0930		CLIP, NONMETALLIC	1		
39	484930-0771		WIRE ASSY	1		GROUND
40	90201-04300		WASHER, PLATE	1		GROUND
41	91051-04100		SCREW, CROSS RECESS PAN	1		M4,L10 ,GROUND
42	484410-8840		PANEL ASSY	1		
43	484927-0151		HOLDER	1		
44	484261-0070		CASING	1		
45	484221-0350		FAN	1		
46	949040-6150		BOLT, HEXAGON	1		M8,L18.5
47	484391-2420		COVER	1		
48	484926-0290		GROMMET	1		
49	481902-0030		CLAMP	1		
50	949821-0180		BAND	1		L140
51	949007-3600		SCREW, W/WASHER	2		M4,L14
52	949350-3030		CLIP, CORD	1		D15.2
53	949008-0850		SCREW, TAPPING, W/WASHER	4		
54	484410-7810		PANEL ASSY	1		
55	949007-6700		SCREW, W/WASHER	42		M4,L10
56	484410-8850		PANEL ASSY	1		
57	484410-7840		PANEL ASSY	1		W/ILL. 57-1
57-1	484401-0901		FILTER	1		
58	484410-8860		PANEL ASSY	1		
59	484400-0190		FILTER ASSY	1		W/ILL. 59-1,59-2
59-1	484300-0260		FRAME ASSY	1		
59-2	484401-0661		FILTER	1		
60	484930-8650		WIRE ASSY	1		POWER CORD
61	084892-0490		CLAMP	1		ID20
62	484731-0021		TANK	1		
63	484410-8870		PANEL ASSY	1		
64	484560-2080		SWITCH ASSY	1		(CB)
65	484930-9880		WIRE ASSY	1		

BLOWER ASSY

484200-0590



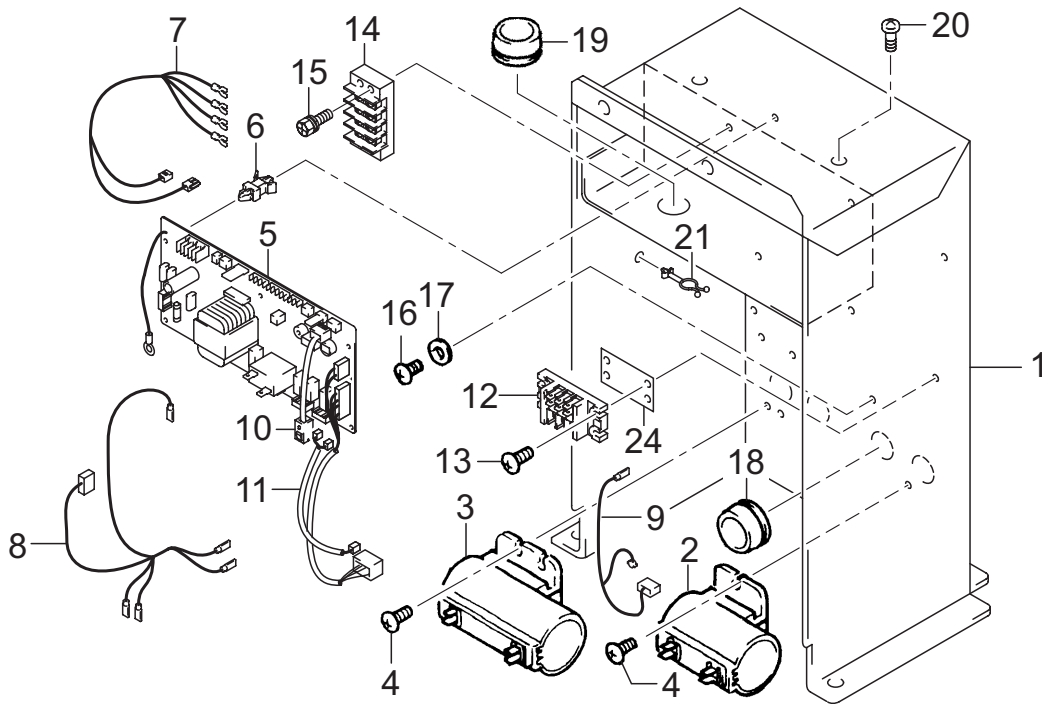
OM0007

ILLUSTRATION NUMBER	DENSO NUMBER	MANUFACTURER NUMBER	DESCRIPTION	QTY	MODIFICATION DATE	REMARKS
0			BLOWER ASSY			
1	484221-0112		FAN	1		
2	484330-0410		STAY ASSY	1		
3	484211-1294		MOTOR	1		
4	949040-6150		BOLT, HEXAGON	1		M8,L18.5
5	90050-06101		SCREW, CROSS RECESS PAN	4		M6,L10
6	040033-1680		CLAMP	1		FOR 1/2"

[MEMO]

CONTROLLER ASSY

484500-3530



IK0023

ILLUSTRATION NUMBER	DENSO NUMBER	MANUFACTURER NUMBER	DESCRIPTION	QTY	MODIFICATION DATE	REMARKS
0			CONTROLLER ASSY			
1	484520-1141		BOX SUB-ASSY	1		
2	484507-0441		CONDENSER	1		16 μ F,200V
3	484507-0450		CONDENSER	1		25 μ F,370V
4	949006-3250		SCREW	3		M4,L10
5	484500-3540		CONTROLLER ASSY	1		(RB)
6	482125-3170		SUPPORT	6		
7	484930-9840		WIRE ASSY	1		
8	484930-9851		WIRE ASSY	1		
9	484930-9941		WIRE ASSY	1		
10	484930-9950		WIRE ASSY	1		
11	484930-9961		WIRE ASSY	1		(RB)-(DS,CB)
12	484503-0430		TERMINAL	1		
13	949006-3280		SCREW	2		M4,L18
14	484503-0910		TERMINAL	1		
15	91310-03161		SCREW, W/WASHER	2		M3,L16
16	91051-04100		SCREW, CROSS RECESS PAN	4		M4,L10
17	90201-04300		WASHER, PLATE	4		T0.8

CONTROLLER ASSY

484500-3530

ILLUSTRATION NUMBER	DENSO NUMBER	MANUFACTURER NUMBER	DESCRIPTION	QTY	MODIFICATION DATE	REMARKS
18	949321-3010		GROMMET	4		
19	949321-3000		GROMMET	1		
20	949006-5850		SCREW	2		M4,L10
21	473459-0160		CLAMP	1		
24	484311-1650		PLATE	1		

DENSO CORPORATION

SERVICE DEPARTMENT

Kariya, Aichi, Japan

First Issue : January, 2008

Publication No. : IZZPK01

Printed in Japan