

ADAPTER HARNESS INSTALLATION **MANUAL**

READ THIS MANUAL CAREFULLY FOR INSTRUCTIONS ON CORRECT INSTALLATION AND USAGE, AND READ ALL SAFEGUARDS.

DEFINITION OF TERMS

⚠WARNING: Describes precautions that should be observed to prevent injury to the user during installation or unit operation.

⚠CAUTION: Describes precautions that should be observed to prevent damage to the unit or its components, which may occur during installation or unit operation if sufficient care is not taken.

Note: Provides additional information that facilitates installation or unit operation.

GENERAL WARNINGS & CAUTIONS

- All electrical work, if necessary, should only be performed by qualified electrical personnel. Repair to electrical components by non-certified technicians may result in personal injury and/or damage to the unit. All electrical components replaced must be genuine, MovinCool or DENSO brand purchased from an authorized reseller.
- Do not handle the pump with wet hands or when standing in water as fatal shock could occur. Disconnect all power from the MovinCool before servicing the unit for any reason.
- Protect the power cable from coming in contact with sharp objects.
- Do not kink or allow power cord to come in contact with oil, grease, chemicals, or hot surfaces.
- To reduce risk of electrical shock, connect MovinCool unit to a properly grounded terminal.

Note: Pump is unique to voltage. Check model matrix for correct pump.

MODELS	CPK115	CPK230
Office Pro 12	X	
Office Pro 18	X	
Office Pro 24		X
Office Pro 36		X
Classic Plus 14	X	
Classic Plus 26		X
Classic 10	X	
Classic 18		X

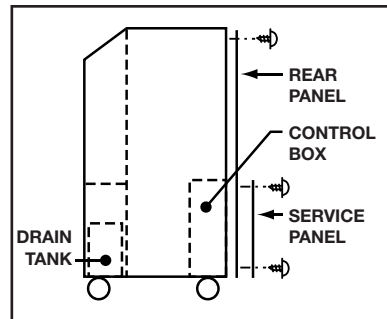
PREPARATION

⚠WARNING: Make sure the MovinCool unit is unplugged from the electrical outlet or if permanently wired, make sure circuit breaker is in the off position.

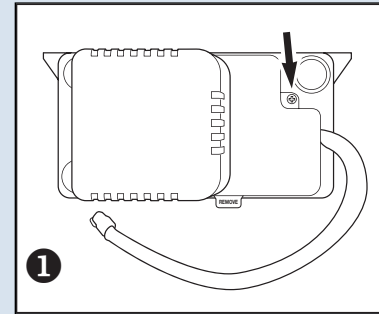
Remove drain tank from unit.

Note: On the MovinCool unit remove the following:

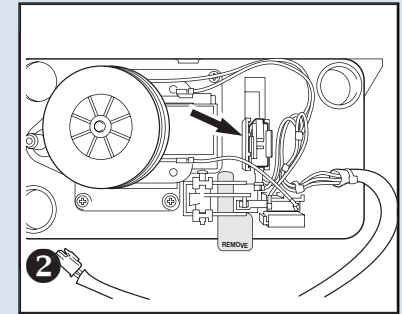
1. Service Panel
2. Rear Panel
3. Drain Tank



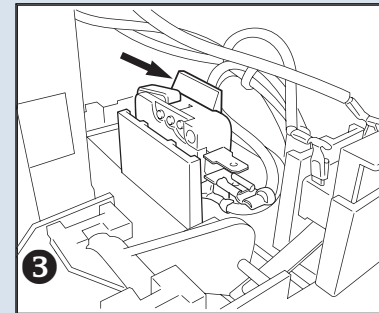
OP24 PUMP LOGIC MODIFICATION For Office Pro 24 built before April 05 only



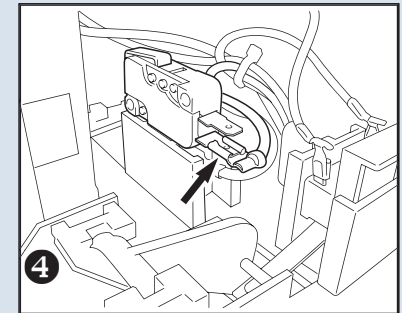
Remove cover secured by screw.



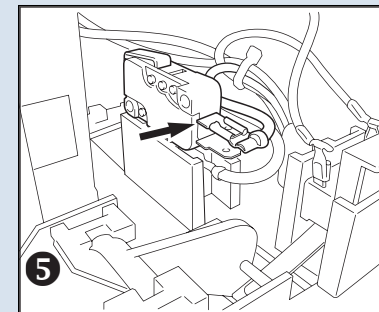
Locate main switch assembly.



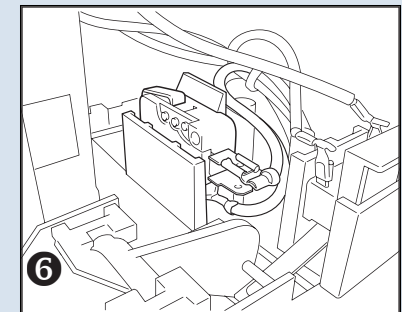
Remove main switch assembly from holder by pushing retaining tab and lifting switch.



Locate and disconnect wire which is connected to the middle terminal of the main switch.



Reattach wire to top terminal of main switch. Check resistance across top and bottom terminal (should be "closed"). Lift float to confirm proper switch operation (should be "open").

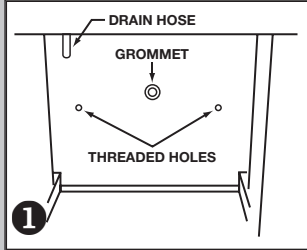


Replace switch in holder.
Note: Retaining tab should be on top of switch.
Replace cover and secure with screw (8 lbf•in torque).

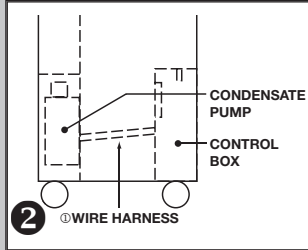
ADAPTER HARNESS INSTALLATION **MANUAL**

ADAPTER HARNESS INSTALLATION AND WIRING DIAGRAM FOR THE CONDENSATE PUMP

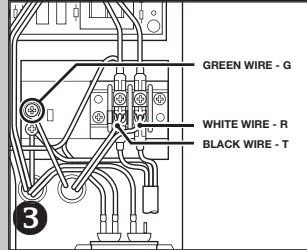
ADAPTER HARNESS INSTALLATION



Place the Condensate Pump in the compartment of the previously removed drain tank. Pass the adapter wire harness through the grommet.



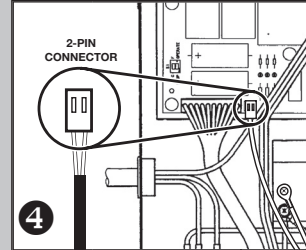
Wiring
From the rear of the Movin-Cool unit, locate the ① wire harness that was previously passed through the grommet. ①=adapter
Route the wire harness terminal lead wires through the control box.



Connect the adapter wire harness terminal lead wires to the terminal block spade connectors located in the control box. Below is the wire color to terminal configuration.

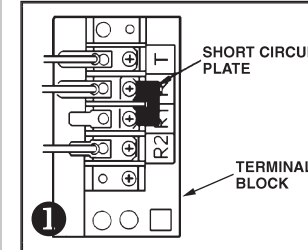
Black: T
White: R
Green: Ground

⚠CAUTION: Make sure to connect the ground wire (green) to the ground terminal. Tighten to 16 lbf•in ± 2.5 lbf•in



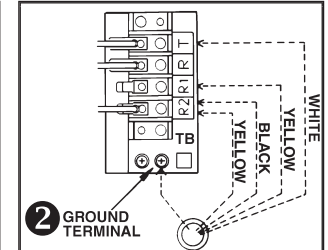
Remove jumper from J8 or J10 connector. Connect the 2-Pin connector with black wire to the J10 (AUX1) connector of the relay board.

FOR CLASSIC 10 AND CLASSIC 18 ONLY



From the control box, remove the short circuit plate from the terminal block.

Connect the wire harness terminal lead wires to the terminal block located in the control box.



Below is the wire color to terminal configuration.

① Yellow: R1
① Yellow: R2
Black: R2
② Green: T

⚠CAUTION: Either yellow wire (①) can be connected to R1 or R2 on the terminal block. Make sure to connect the ground wire (green ②) to the ground terminal)

DENSO

DENSO SALES CALIFORNIA, INC.
3900 Via Oro Avenue
Long Beach CA 90810-1868
800-264-9573 / 310-834-6352
www.movincool.com

First Issue: March 2005
DSCA P/N: LA990009-1628
GAC P/N: LA484007-1890

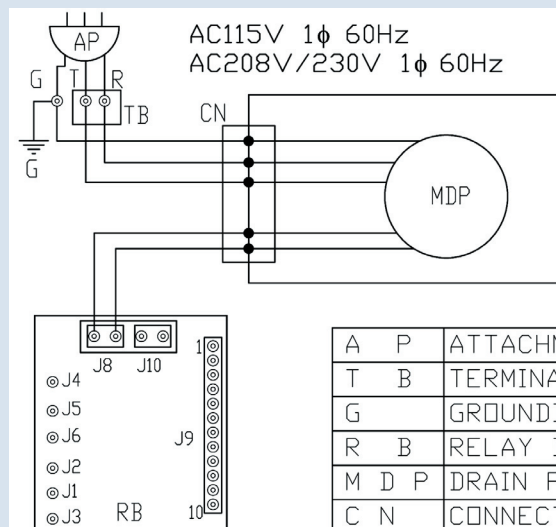
MOVINCOOL

THE PORTABLE SPOT COOLING SOLUTION



DENSO SALES CALIFORNIA, INC.
REGISTERED TO ISO 9002
FILE NO. A5537

WIRING DIAGRAM



A	P	ATTACHMENT PLUG	
T	B	TERMINAL BLOCK	
G		GROUNDING	
R	B	RELAY BOARD	
M	D	P	DRAIN PUMP
C	N	CONNECTOR	